

EPX Series



- **Stainless Steel Pressure Sensor**
- **Flush Diaphragm**
- **Small threads**
- **Suitable for general applications**
- **Broad frequency range**

DESCRIPTION

The EPX is a miniature threaded pressure sensor with stainless steel flush diaphragm compatible with general media. Threads M5x0.8 or 10-32 UNF are available with built-in O-ring seal for an easy installation. The EPX is offered in many pressure ranges from 0.35 to 350 bar (5 to 5000 psi) with gage, sealed gage, or absolute pressure reference. Non standard excitation, compensated temperatures, cable and thread lengths are available as options.

FEATURES

- Small Threads M5x0.8 or 10-32 UNF
- Ranges from 0.35 to 350 bar (5 to 5,000 psi)
- Stainless Steel Construction
- Useful frequency up to 90kHz
- CE approved

APPLICATIONS

- General testing
- Automotive, marine and flight testing
- Space flight and experimentation

STANDARD RANGES

Pressure ranges		Pressure Reference			Pressure Limit	Resonant Frequency ⁽¹⁾ (nom.)	Output "FSO" (nom.)	CNL&H (%FSO)	Thermal Zero Shift "TZS" (/50°C)
(BAR)	(PSI)	gage (type1)	sealed (type2)	abs. (type3)					
0.35	5	•	•	•	10 x FS	45 KHz	15 mV	± 1%	± 1mV
0.7	10	•	•	•	5 x FS	50 KHz	25 mV	± 1%	± 1mV
1	15	•	•	•	3.5 x FS	65 KHz	30 mV	± 1%	± 1mV
1.5	25	•	•	•	2 x FS	65 KHz	50 mV	± 1%	± 2 % FSO
3.5	50	•	•	•	2 x FS	75 KHz	75 mV	± 1%	± 2 % FSO
7	100	•	•	•	2 x FS	80 KHz	125 mV	± 0.5 %	± 1.5 % FSO
15	250	•	•	•	2 x FS	120 KHz	125 mV	± 0.5 %	± 1.5 % FSO
35	500	•	•	•	2 x FS	150 KHz	125 mV	± 0.5 %	± 1.5 % FSO
70	1K	•	•	•	2 x FS	200 KHz	125 mV	± 0.5 %	± 1.5 % FSO
150	2.5K	•	•	•	1.6 x FS	300 KHz	125 mV	± 0.5 %	± 1.5 % FSO
350	5K	•	•	•	1.2 x FS	450 KHz	125 mV	± 0.5 %	± 1.5 % FSO

Note 1: useful frequency is 20% of Resonant Frequency

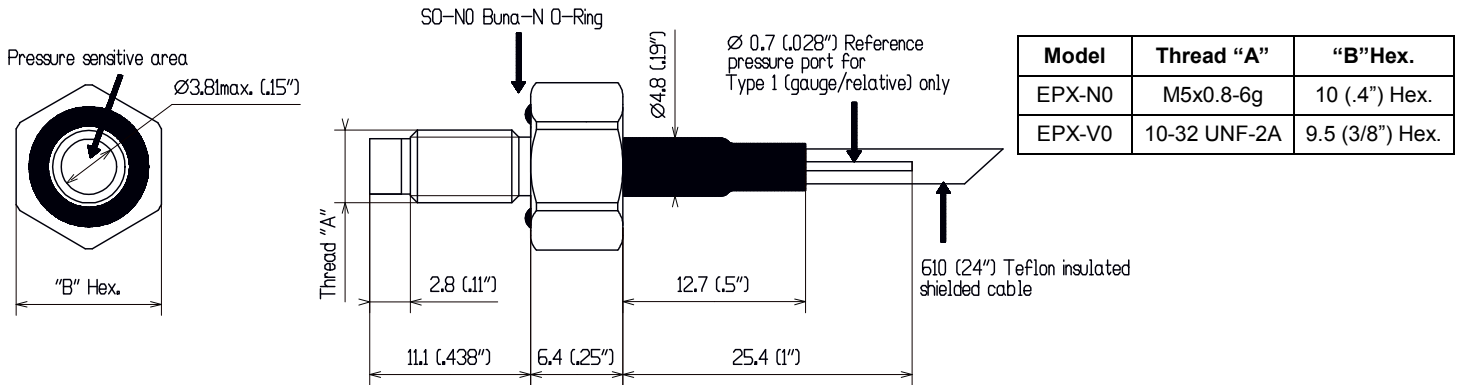
EPX Series

PERFORMANCE SPECIFICATIONS

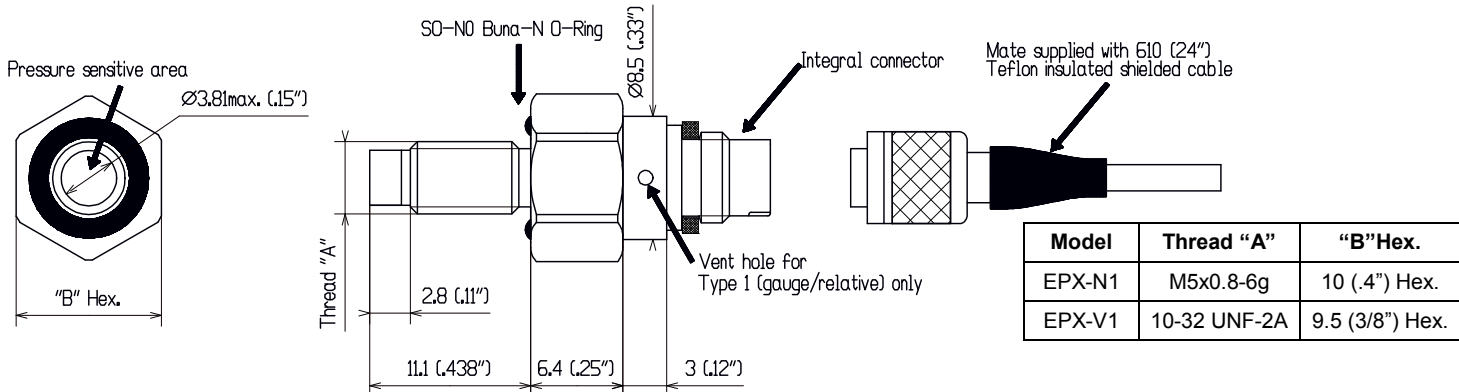
PARAMETERS	VALUES	NOTES
Supply Voltage	10VDC	See option table for other Voltages
Input Resistance	1200Ω nom.	
Output Resistance	350Ω nom.	
Non-Repeatability	± 0.25 % FSO	
Thermal Sensitivity Shift "TSS"	±2%/50°C	
Operating Temperature	-40°C to 120°C	
Compensated temperature	20°C to 80°C	See option table for other Temperatures
Zero Offset at 23°C	± 10 mV	
CE conformance according to	EN 61010-1, EN 50081-1, EN 50082-1	

DIMENSIONS

EPX-N0 & EPX-V0



EPX-N1 & EPX-V1



Dim : mm (inches)

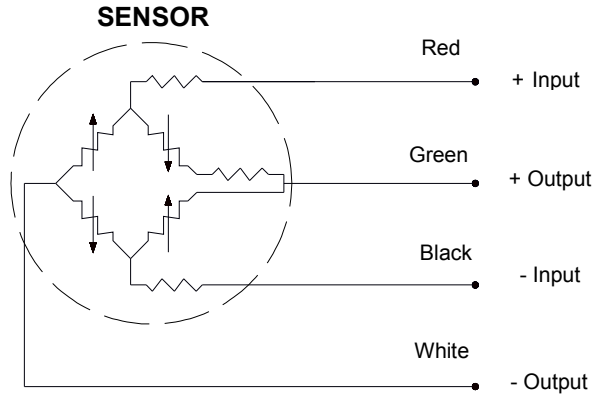
EPX Series

INSTALLATION

Recommended installation torque :

- FS ≤ 3.5 bar (50 psi) : 0.6 m.N (5 In.Lbs)
- FS > 3.5 to 35 bar (50 to 500 psi) : 1.2 m.N (10 In.Lbs)
- FS > 35 bar (500 psi) : 1.8 m.N (15 In.Lbs)

CONNECTIONS



OPTIONS AND ACCESSORIES

OPTIONS	CODES	DESCRIPTIONS
Compensated Temperature Ranges	Z0	-40°C to 20°C
	Z1	-20°C to 40°C
	Z2	0°C to 60°C
	Z*	Non-standard, contact MEAS
Supply Voltage	V00	Replace "00" with Voltage between 1 and 10. If less than 10, Sensitivity FSO will decrease accordingly
	V*	Non-standard Excitation with standard FSO and non-standard TSS, contact MEAS
Special Cable Length	L00F	Replace "00" with total length in feet
	L00M	Replace "00" with total length in meters
Custom Length Hex to Tip	0000I	Replace "0000" with thread length in inches between 0.25" to 1.5"
	0000M	Replace "0000" with thread length in millimeters between 6.3 to 38mm
Waterproofing Cable Exit (only for models N0 or V0 sealed or absolute)	X	Short Term Waterproofing
Connector Wired to Leads or Cable	C	Microtech type male or equivalent (w/o mate)
	RS	RJ Telephone type male (w/o mate)
Extra O-Rings for EPX	SO-N0	BUNA-N
	SO-N2	Viton
	SO-N3	Teflon

EPX Series

ORDERING INFORMATION

Model	-	Body	Pres. Ref.	-	Range & Unit ⁽¹⁾		-	/Options
EPX	-	N0 N1 V0 V1	1 = Gauge 2 = Sealed 3 = Absolute	-	0.35B 0.7B 1B 1.5B 3.5B 7B 15B 35B 70B 150B 350B	5P 10P 15P 25P 50P 100P 250P 500P 1KP 2.5KP 5KP	-	/Z0, Z1, Z2, or Z* /V1 thru V10 or V* /L00F or L00M /0000I or 0000M /X /C or RS

Note 1: select ranges in BAR with body N and ranges in PSI with body V.

Examples of model construction: EPX-N13-7B-/Z1/V5/L3M/38M or EPX-V01-15P-/Z0/L6F/1.5I/C

NORTH AMERICA

Measurement Specialties
45738 Northport Loop West
Fremont, CA 94538
Tel: 1-800-767-1888
Fax: 1-510-498-1578
Sales: pfg.cs.amer@meas-spec.com

EUROPE

Measurement Specialties
(Europe), Ltd.
26 Rue des Dames
78340 Les Clayes-sous-Bois, France
Tel: +33 (0) 130 79 33 00
Fax: +33 (0) 134 81 03 59
Sales: pfg.cs.emea@meas-spec.com

ASIA

Measurement Specialties
(China), Ltd.
No. 26 Langshan Road
Shenzhen High-Tech Park (North)
Nanshan District, Shenzhen 518107
China
Tel: +86 755 3330 5088
Fax: +86 755 3330 5099
Sales: pfg.cs.asia@meas-spec.com

The information in this sheet has been carefully reviewed and is believed to be accurate; however, no responsibility is assumed for inaccuracies. Furthermore, this information does not convey to the purchaser of such devices any license under the patent rights to the manufacturer. Measurement Specialties, Inc. reserves the right to make changes without further notice to any product herein. Measurement Specialties, Inc. makes no warranty, representation or guarantee regarding the suitability of its product for any particular purpose, nor does Measurement Specialties, Inc. assume any liability arising out of the application or use of any product or circuit and specifically disclaims any and all liability, including without limitation consequential or incidental damages. Typical parameters can and do vary in different applications. All operating parameters must be validated for each customer application by customer's technical experts. Measurement Specialties, Inc. does not convey any license under its patent rights nor the rights of others.