

February 1995

LM1042 Fluid Level Detector

LM1042 Fluid Level Detector

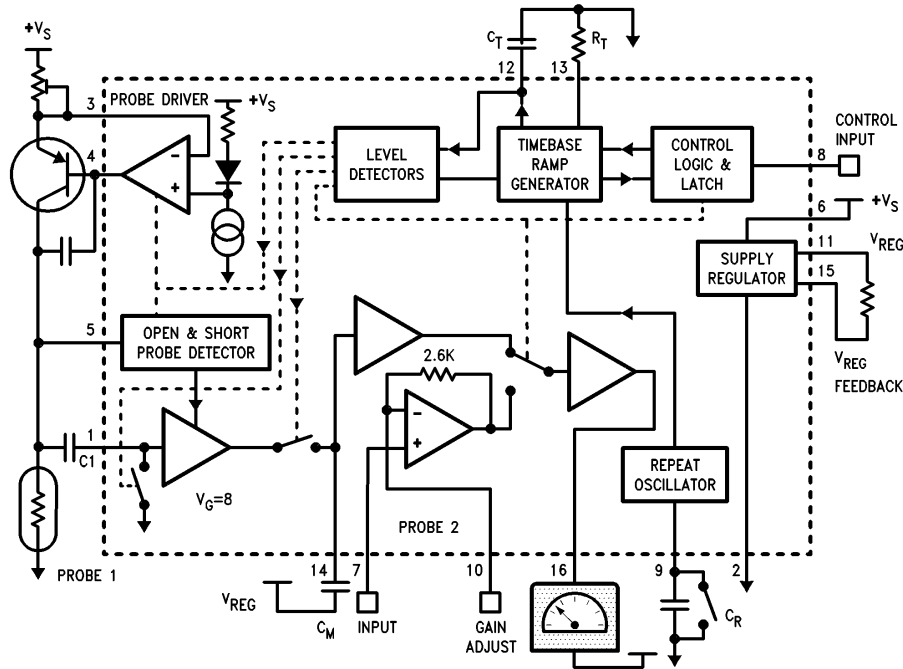
General Description

The LM1042 uses the thermal-resistive probe technique to measure the level of non-flammable fluids. An output is provided proportional to fluid level and single shot or repeating measurements may be made. All supervisory requirements to control the thermal-resistive probe, including short and open circuit probe detection, are incorporated within the device. A second linear input for alternative sensor signals may also be selected.

Features

- Selectable thermal-resistance or linear probe inputs
- Control circuitry for thermal-resistive probe
- Single-shot or repeating measurements
- Switch on reset and delay to avoid transients
- Output amplifier with 10 mA source and sink capability
- Short or open probe detection
- +50V transient protection on supply and control input
- 7.5V to 18V supply range
- Internally regulated supply
- -40°C to +80°C operation

Block Diagram



TL/H/8709-1

Absolute Maximum Ratings

If Military/Aerospace specified devices are required, please contact the National Semiconductor Sales Office/Distributors for availability and specifications.

Supply Voltage V_{CC}	32V
Voltage at Pin 8	32V
Positive Peak Voltage (Pins 6, 8, 3) (Note 1) 10 ms 2A	50V
Output Current Pin 4, (I ₄)(sink)	10 mA

Output Current Pin 11 (source)	25 mA
Output Current Pin 16	± 10 mA
Operating Temperature Range	-40°C to +80°C
Storage Temperature Range	-55°C to +150°C
Lead Temperature (Soldering 10 sec.)	260°C
Package Power Dissipation $T_A = 25^\circ\text{C}$ (Note 8)	1.8W
Device Power Dissipation	0.9W

Electrical Characteristics

$V_{CC} = 13V$, T_A within operating range except where stated otherwise. $C_T = 22 \mu\text{F}$, $R_T = 12k$

Symbol	Parameter	Conditions	Tested Limits (Note 2)		Design Limits (Note 3)			Units
			Min	Max	Min	Typ	Max	
V_{CC}	Supply Voltage		7.5	18	7.5	13	18	V
I_S	Supply Current			35			35	mA
V_{REG}	Regulated Voltage	Pins 15 and 11 connected	5.7	6.15	5.65	5.9	6.2	V
	Stability Over V_{CC} Range	Referred to value at $V_{CC} = 13V$ (Note 4)		± 0.5			± 0.5	%
V_6-V_3	Probe Current Reference Voltage		2.15	2.35	2.10	2.25	2.40	V
	Probe Current Regulation Over V_{CC} Range	(Note 4)		± 0.5			± 0.8	%
T_1	Ramp Timing	See Figure 5	20	37	15	31	42	ms
T_2-T_1					3		16	ms
T_4-T_1	Ramp Timing		1.4	2.1	1.4	1.75	2.1	s
T_{STAB}	Ramp Timing Stability	Over V_{CC} Range		+5			±5	%
R_T	Ramp Resistor Range		3	15	3		15.0	kΩ
V_8	Start Input Logic High Level		1.7		1.7			V
V_8	Start Input Logic Low Level			0.5			0.5	V
I_8	Start Input Current	$V_8 = V_{CC}$		100			100	nA
I_8	Start Input Current	$V_8 = 0V$		300			300	nA
V_{16}	Maximum Output Voltage	$R_L = 600\Omega$ from Pin 16 to V_{REG}	$V_{REG} - 0.3$		$V_{REG} - 0.3$			V
	Minimum Output Voltage			0.5		0.2	0.6	V
G_1	PROBE 1 Probe 1 Gain	Pin 1 80 mV to 520 mV (Notes 6, 7) Pin 1 80 mV to 520 mV (Note 7)	9.9	10.4		10.15		
	Non-linearity of G_1		-1	+1	-2	0	2	%
OS_1	Pin 1 Offset	(Note 7)				± 5		mV
G_2	PROBE 2 Probe 2 Gain	Pin 7 240 mV to 1.562V (Note 7) Pin 7 240 mV to 1.562V (Note 7)	3.31	3.49		3.4		
	Non-linearity of G_2		-1	+1	-2	0.2	2	%
OS_7	Pin 7 Offset	(Note 7)				± 5		mV
R_7	Input impedance					5		MΩ

Electrical Characteristics

$V_{CC} = 13V$, T_A within operating range except where stated otherwise. $C_T = 22 \mu F$, $R_T = 12k$ (Continued)

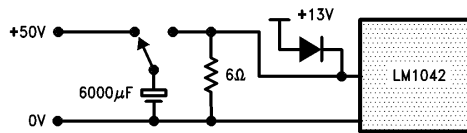
Symbol	Parameter	Conditions	Tested Limits (Note 2)		Design Limits (Note 3)			Units
			Min	Max	Min	Typ	Max	
V ₁	Probe 1 Input Voltage Range	$V_{CC} = 9V$ to $18V$ $V_{CC} = 7.5V$, $I_4 < 2.5$ mA ($V_{REG} = 6.0V$)	1	5	1		5	V
					1		3.5	V
V ₅	Probe 1 Open Circuit Threshold	At Pin 5	$V_{REG} - 0.7$	$V_{REG} - 0.5$	$V_{REG} - 0.85$	$V_{REG} - 0.6$	$V_{REG} - 0.35$	V
V ₅	Probe 1 Short Circuit Threshold		0.5	0.7	0.35	0.6	0.85	V
I ₁₄	Pin 14 Input Leakage Current	Pin 14 = 4V	-2.0	2.0			2.0	nA
I ₁	Pin 1 Input Leakage Current	Pin 1 = 300 mV	-5.0	5.0		1.5	5.0	nA
T _R	Repeat Period	$C_R = 22 \mu F$ (Note 5)	12	28	9.1	17	36	s
	C_R Discharge Time	$C_R = 22 \mu F$				70	135	ms
C _M	Memory Capacitor Value						0.47	μF
C ₁	Input Capacitor Value						0.47	μF

Sensitivity to Electrostatic Discharge—

Pins 7, 10, 13, and 14 will withstand greater than 1500V when tested using 100 pF and 1500 Ω in accordance with National Semiconductor standard ESD test procedures.

All other pins will withstand in excess of 2 kV.

Note 1: Test circuit for over voltage capability at pins 3, 6, 8.



TL/H/8709-2

Note 2: Guaranteed and 100% production tested at 25°C. These limits are used to calculate outgoing quality levels.

Note 3: Limits guardbanded to include parametric variations. $T_A = -40^\circ C$ to $+80^\circ C$ and from $V_{CC} = 7.5V$ to $18V$. These limits are not used to calculate AOQL figures.

Note 4: Variations over temperature range are not production tested.

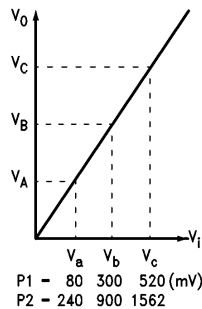
Note 5: Time for first repeat period, see Figure 6.

Note 6: Probe 1 amplifier tests are measured with pin 12 ramp voltage held between the T_3 and T_4 conditions (pin 12 $\approx 1.1V$) having previously been held above 4.1V to simulate ramp action. See Figure 5.

Note 7: When measuring gain separate ground wire sensing is required at pin 2 to ensure sufficiently accurate results.

Linearity is defined as the difference between the predicted value of V_B (V_B^*) and the measured value.

Note 8: Above $T_A = 25^\circ C$ derate with $\theta_{JA} = 70^\circ C/W$.



TL/H/8709-15

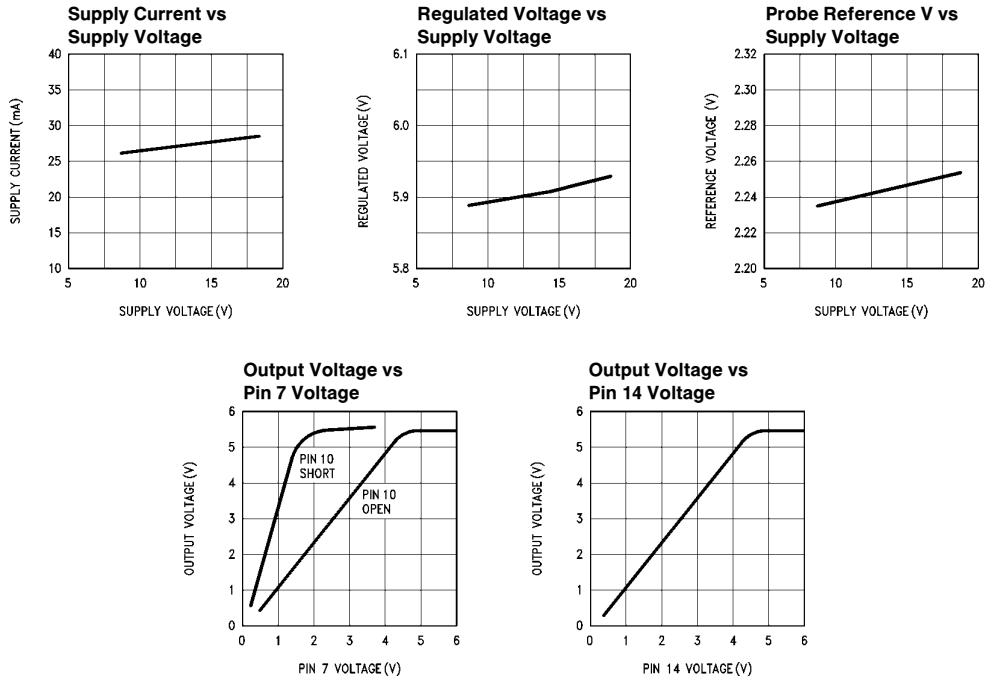
$$\text{For probe 1 and probe 2—Gain (G)} = \frac{V_C - V_A}{V_C - V_A}$$

$$\text{Input offset} = \left[\frac{V_C}{G} - V_C \right]$$

$$\text{Linearity} = \left[\frac{V_B^*}{V_B} - 1 \right] \times 100\%$$

$$V_B^* = V_A + G(V_B - V_A)$$

Typical Performance Characteristics



TL/H/8709-3

Pin Function Description

- Pin 1 Input amplifier for thermo-resistive probe with 5 nA maximum leakage. Clamped to ground at the start of a probe 1 measurement.
- Pin 2 Device ground — 0V.
- Pin 3 This pin is connected to the emitter of an external PNP transistor to supply a 200 mA constant current to the thermo-resistive probe. An internal reference maintains this pin at $V_{SUPPLY} - 2V$.
- Pin 4 Base connection for the external PNP transistor.
- Pin 5 This pin is connected to the thermo-resistive probe for short and open circuit probe detection.
- Pin 6 Supply pin, +7.5V to +18V, protected against +50V transients.
- Pin 7 High Impedance input for second linear voltage probe with an input range from 1V to 5V. The gain may be set externally using pin 10.
- Pin 8 Probe select and control input. If this pin is taken to a logic low level, probe 1 is selected and the timing cycle is initiated. The selection logic is subsequently latched low until the end of the measurement. If kept at a low level one shot or repeating probe 1 measurements will be made depending upon pin 9 conditions. A high input level selects probe 2 except during a probe 1 measurement period.
- Pin 9 The repeat oscillator timing capacitor is connected from this pin to ground. A 2 μA current charges up the capacitor towards 4.3V when the probe 1 measurement cycle is restarted. If this pin is grounded the repeat oscillator is disabled and only one probe 1 measurement will be made when pin 8 goes low.
- Pin 10 A resistor may be connected to ground to vary the gain of the probe 2 input amplifier. Nominal gain when open circuit is 1.2 and when shorted to ground 3.4. DC conditions may be adjusted by means of a resistor divider network to V_{REG} and ground.
- Pin 11 Regulated voltage output. Requires to be connected to pin 15 to complete the supply regulator control loop.
- Pin 12 The capacitor connected from this pin to ground sets the timing cycle for probe 1 measurements.
- Pin 13 The resistor connected between this pin and ground defines the charging current at pin 12. Typically 12k, the value should be within the range 3k to 15k.
- Pin 14 A low leakage capacitor, typical value 0.1 μF and not greater than 0.47 μF , should be connected from this pin to the regulated supply at pin 11 to act as a memory capacitor for the probe 1 measurement. The internal leakage at this pin is 2 nA max for a long memory retention time.
- Pin 15 Feedback input for the internal supply regulator, normally connected to V_{REG} at pin 11. A resistor may be connected in series to adjust the regulated output voltage by an amount corresponding to the 1 mA current into pin 15.
- Pin 16 Linear voltage output for probe 1 and probe 2 capable of driving up to ± 10 mA. May be connected with a 600 Ω meter to V_{REG} .

Application Notes

THERMO-RESISTIVE PROBES — OPERATION AND CONSTRUCTION

These probes work on the principle that when power is dissipated within the probe, the rise in probe temperature is dependent on the thermal resistance of the surrounding material and as air and other gases are much less efficient conductors of heat than liquids such as water and oil it is possible to obtain a measurement of the depth of immersion of such a probe in a liquid medium. This principle is illustrated in Figure 1.

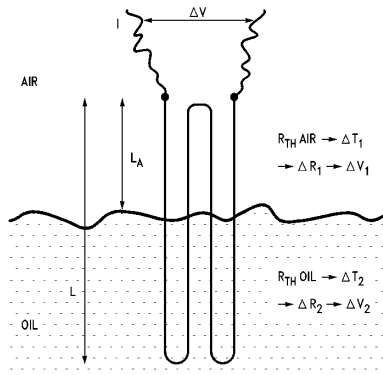


FIGURE 1

TL/H/8709-4

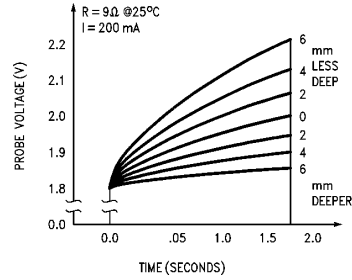
During the measurement period a constant current drive I is applied to the probe and the voltage across the probe is sampled both at the start and just before the end of the measurement period to give ΔV . $R_{TH\text{ Air}}$ and $R_{TH\text{ Oil}}$ represent the different thermal resistances from probe to ambient in air or oil giving rise to temperature changes ΔT_1 and ΔT_2 respectively. As a result of these temperature changes the probe resistance will change by ΔR_1 or ΔR_2 and give corresponding voltage changes ΔV_1 or ΔV_2 per unit length.

Hence

$$\Delta V = \frac{L_A}{L} \Delta V_1 + \frac{(L - L_A)}{L} \Delta V_2$$

and for $\Delta V_1 > \Delta V_2$, $R_{TH\text{ Air}} > R_{TH\text{ Oil}}$, ΔV will increase as the probe length in air increases. For best results the probe needs to have a high temperature coefficient and low thermal time constant. One way to achieve this is to make use of resistance wires held in a suitable support frame allowing free liquid access. Nickel cobalt iron alloy resistance wires are available with resistivity $50 \mu\Omega\text{cm}$ and 3300 ppm temperature coefficient which when made up into a probe with $4 \times 2 \text{ cm}$ 0.08 mm diameter strands between supports (10 cm total) can give the voltage vs time curve shown in Figure 2 for 200 mA probe current. The effect of varying the probe current is shown in Figure 3. To avoid triggering the probe failure detection circuits the probe voltage must be between 0.7V and 5.3V ($V_{REG} - 6V$), hence for 200 mA the permissible probe resistance range is from 3.5Ω to 24Ω . The example given has a resistance at room temperature of 9Ω which leaves plenty of room for increase during measurements and changes in ambient temperature.

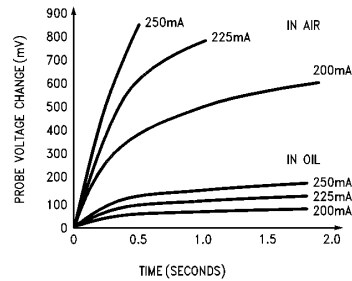
Various arrangements of probe wire are possible for any given wire gauge and probe current to suit the measurement range required, some examples are illustrated schematically in Figure 4. Naturally it is necessary to reduce the probe



TL/H/8709-5

FIGURE 2

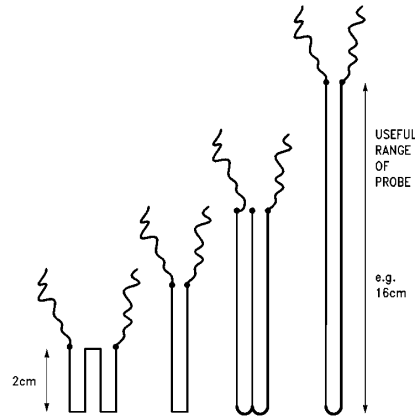
current with very fine wires to avoid excessive heating and this current may be optimized to suit a particular type of wire. The temperature changes involved will give rise to noticeable length changes in the wire used and more sophisticated holders with tensioning devices may be devised to allow for this.



TL/H/8709-6

FIGURE 3

Probes need not be limited to resistance wire types as any device with a positive temperature coefficient and sufficiently low thermal resistance to the encapsulation so as not to mask the change due to the different surrounding mediums, could be used. Positive temperature coefficient thermistors are a possibility and while their thermal time constant is likely to be longer than wire the measurement time may be increased by changing C_T to suit.



TL/H/8709-7

FIGURE 4

Application Notes (Continued)

CIRCUIT OPERATION

1) Thermo-Resistive Probes

These probes require measurements to be made of their resistance before and after power has been dissipated in them. With a probe connected as probe 1 in the connection diagram the LM1042 will start a measurement when pin 8 is taken to a logic low level ($V_8 < 0.5V$) and the internal time-base ramp generator will start to generate the waveform shown in *Figure 5*. At $0.7V$, T_1 , the probe current drive is switched on supplying a constant 200 mA via the external PNP transistor and the probe failure circuit is enabled. At $1V$ pin 1 is unclamped and C_T stores the probe voltage corresponding to this time, T_2 . The ramp charge rate is now reduced as C_T charges toward $4V$. As the $4.1V$ threshold is passed a current sink is enabled and C_T now discharges. Between $1.3V$ and $1.0V$, T_3 and T_4 , the amplified pin 1 voltage, representing the change in probe voltage since T_2 (and as the current is constant this is proportional to the resistance change) is gated onto the memory capacitor at pin 14. At $0.7V$, T_5 , the probe current is switched off and the measurement cycle is complete. In the event of a faulty probe being detected the memory capacitor is connected to the regulated supply during the gate period. The device leakage at pin 14 is a maximum of 2 nA to give a long memory retention time. The voltage present on pin 14 is amplified by 1.2 to drive pin 16 with a low impedance, $\pm 10\text{ mA}$ capability, between $0.5V$ and $4.7V$. A new measurement can only be started by taking pin 8 to a low level again or by means of the repeat oscillator.

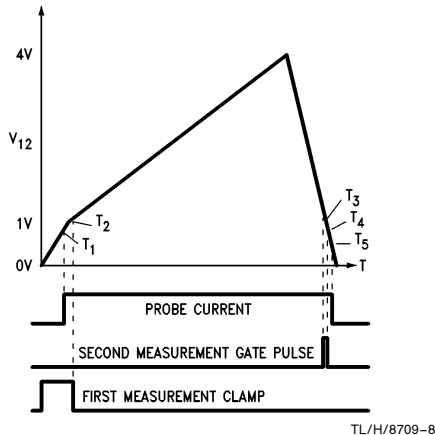


FIGURE 5

2) Repetitive Measurement

With a capacitor connected between pin 9 and ground the repeat oscillator will run with a waveform as shown in *Figure 6* and a thermo-resistive probe measurement will be triggered each time pin 9 reaches a threshold of $4.3V$, provided pin 8 is at a logic low level. The repeat oscillator runs independently of the pin 8 control logic.

As the repetition rate is increased localized heating of the probe and liquid being measured will be the main consideration in determining the minimum acceptable measurement intervals. Measurements will tend to become more dependent on the amount of fluid movement changing the rate of heat transfer away from the probe. The typical repeat time versus timing capacitor value is shown in *Figure 7*.

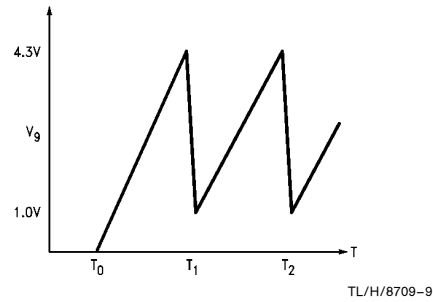


FIGURE 6

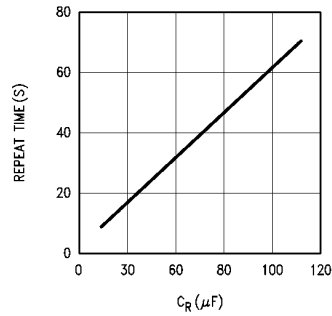


FIGURE 7

3) Second Probe Input

A high impedance input for an alternative sensor is available at pin 7. The voltage applied to this input is amplified and output at pin 16 when the input is selected with a high level on pin 8. The gain is defined by the feedback arrangement shown in *Figure 8* with adjustment possible at pin 10. With pin 10 open the gain is set at a nominal value of 1.2 , and this may be increased by connecting a resistor between pin 10 and ground up to a maximum of 3.4 with pin 10 directly grounded. A variable resistor may be used to calibrate for the variations in sensitivity of the sensor used for probe 2.

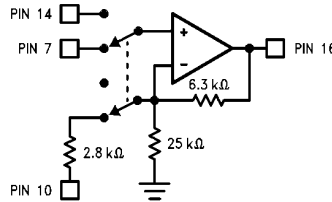


FIGURE 8

POWER SUPPLY REGULATOR

The arrangement of the feedback for the supply regulator is shown in *Figure 9*. The circuit acts to maintain pin 15 at a constant $6V$ and when directly connected to pin 11 the regulated output is held at $6V$. If required a resistor R may be connected between pins 15 and 11 to increase the output voltage by an amount corresponding typically to 1 mA flowing in R . In this way a variable resistor may be used to trim out the production tolerance of the regulator by adjusting for $V_{REG} \geq 6.2V$.

Application Notes (Continued)

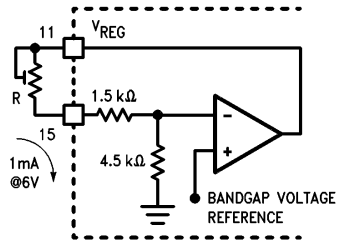


FIGURE 9

TL/H/8709-12

PROBE CURRENT REFERENCE CIRCUIT

The circuit defining the probe circuit is given in *Figure 10*. A reference voltage is obtained from a bandgap regulator derived current flowing in a diode resistor chain to set up a voltage 2 volts below the supply. This is applied to an amplifier driving an external PNP transistor to maintain pin 3 at 2V below supply. The emitter resistance from pin 3 to supply defines the current which, less the base current, flows in the probe. Because of the sensitivity of the measurement to probe current evident in *Figure 3* the current should be adjusted by means of a variable resistor to the desired value. This adjustment may also be used to take out probe tolerances.

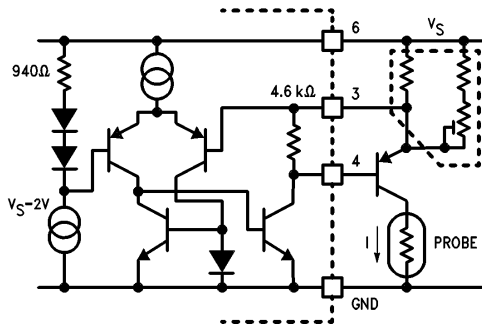


FIGURE 10

TL/H/8709-13

TYPICAL APPLICATIONS CIRCUIT

A typical automotive application circuit is shown in *Figure 11* where the probe selection signal is obtained from the oil pressure switch. At power up (ignition on) the oil pressure switch is closed and pin 8 is held low by R4 causing a probe 1 (oil level) measurement to be made. Once the engine has started the oil pressure switch opens and D1 pulls pin 8 high changing over to the second auxiliary probe input. The capacitor C5 holds pin 8 high in the event of a stalled engine so that a second probe 1 measurement can not occur in disturbed oil. Non-automotive applications may drive pin 8 directly with a logic signal.

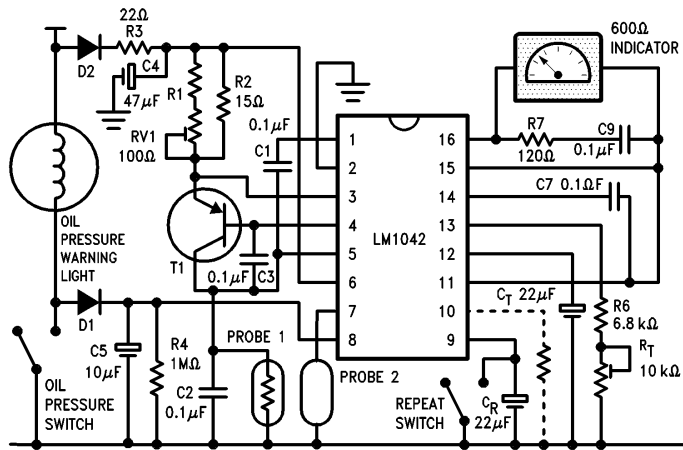


FIGURE 11. Typical Application Circuit

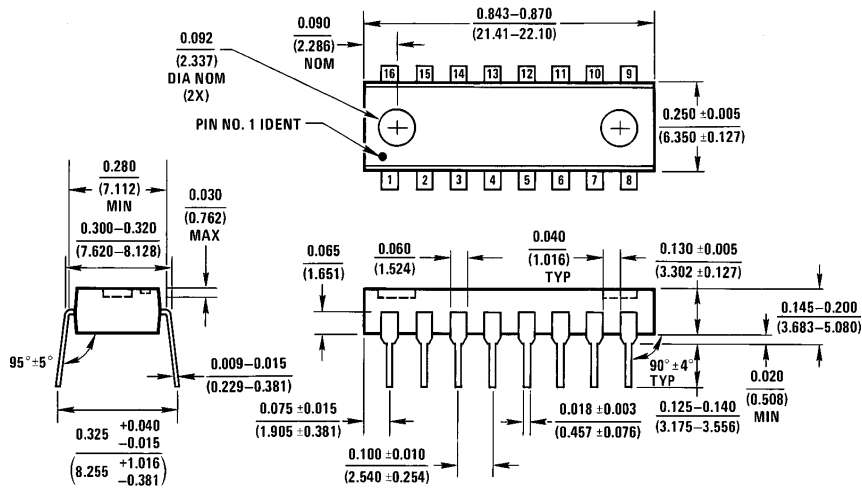
TL/H/8709-14

Ordering Information

Order Number LM1042N
See NS Package Number N16A

Physical Dimensions inches (millimeters)

Lit. # 107305



Order Number LM1042N
NS Package Number N16A

N16A (REV E)

LIFE SUPPORT POLICY

NATIONAL'S PRODUCTS ARE NOT AUTHORIZED FOR USE AS CRITICAL COMPONENTS IN LIFE SUPPORT DEVICES OR SYSTEMS WITHOUT THE EXPRESS WRITTEN APPROVAL OF THE PRESIDENT OF NATIONAL SEMICONDUCTOR CORPORATION. As used herein:

1. Life support devices or systems are devices or systems which, (a) are intended for surgical implant into the body, or (b) support or sustain life, and whose failure to perform, when properly used in accordance with instructions for use provided in the labeling, can be reasonably expected to result in a significant injury to the user.
2. A critical component is any component of a life support device or system whose failure to perform can be reasonably expected to cause the failure of the life support device or system, or to affect its safety or effectiveness.



National Semiconductor Corporation
1111 West Bardin Road
Arlington, TX 76017
Tel: 1(800) 272-9959
Fax: 1(800) 737-7018

National Semiconductor Europe
Fax: (+49) 0-180-530 85 86
Email: cnjwge@tevm2.nsc.com
Deutsch Tel: (+49) 0-180-530 85 85
English Tel: (+49) 0-180-532 78 32
Français Tel: (+49) 0-180-532 93 58
Italiano Tel: (+49) 0-180-534 16 80

National Semiconductor Hong Kong Ltd.
19th Floor, Straight Block,
Ocean Centre, 5 Canton Rd.
Tsimshatsui, Kowloon
Hong Kong
Tel: (852) 2737-1600
Fax: (852) 2736-9960

National Semiconductor Japan Ltd.
Tel: 81-043-299-2309
Fax: 81-043-299-2408

National does not assume any responsibility for use of any circuitry described, no circuit patent licenses are implied and National reserves the right at any time without notice to change said circuitry and specifications.

SUNSTAR商斯达实业集团是集研发、生产、工程、销售、代理经销、技术咨询、信息服务等为一体的高科技企业，是专业高科技电子产品生产厂家，是具有 10 多年历史的专业电子元器件供应商，是中国最早和最大的仓储式连锁规模经营大型综合电子零部件代理分销商之一，是一家专业代理和分销世界各大品牌 IC 芯片和电子元器件的连锁经营综合性国际公司。在香港、北京、深圳、上海、西安、成都等全国主要电子市场设有直属分公司和产品展示展销窗口门市部专卖店及代理分销商，已在全国范围内建成强大统一的供货和代理分销网络。我们专业代理经销、开发生产电子元器件、集成电路、传感器、微波光电元器件、工控机/DOC/DOM 电子盘、专用电路、单片机开发、MCU/DSP/ARM/FPGA 软件硬件、二极管、三极管、模块等，是您可靠的一站式现货配套供应商、方案提供商、部件功能模块开发配套商。专业以现代信息产业（计算机、通讯及传感器）三大支柱之一的传感器为主营业务，专业经营各类传感器的代理、销售生产、网络信息、科技图书资料及配套产品设计、工程开发。我们的专业网站——中国传感器科技信息网（全球传感器数据库）www.SENSOR-IC.COM 服务于全球高科技生产商及贸易商，为企业科技产品开发提供技术交流平台。欢迎各厂商互通有无、交换信息、交换链接、发布寻求代理信息。欢迎国外高科技传感器、变送器、执行器、自动控制产品厂商介绍产品到中国，共同开拓市场。本网站是关于各种传感器-变送器-仪器仪表及工业自动化大型专业网站，深入到工业控制、系统工程计 测量、自动化、安防报警、消费电子等众多领域，把最新的传感器-变送器-仪器仪表买卖信息，最新技术供求，最新采购商，行业动态，发展方向，最新的技术应用和市场资讯及时的传递给广大科技开发、科学研究、产品设计人员。本网站已成功为石油、化工、电力、医药、生物、航空、航天、国防、能源、冶金、电子、工业、农业、交通、汽车、矿山、煤炭、纺织、信息、通信、IT、安防、环保、印刷、科研、气象、仪器仪表等领域从事科学研究、产品设计、开发、生产制造的科技人员、管理人员、和采购人员提供满意服务。我们公司专业生产、代理、经销、销售各种传感器、变送器、敏感元器件、开关、执行器、仪器仪表、自动化控制系统：专门从事设计、生产、销售各种传感器、变送器、各种测控仪表、热工仪表、现场控制器、计算机控制系统、数据采集系统、各类环境监控系统、专用控制系统应用软件以及嵌入式系统开发及应用等工作。如热敏电阻、压敏电阻、温度传感器、温度变送器、湿度传感器、湿度变送器、气体传感器、气体变送器、压力传感器、压力变送、称重传感器、物（液）位传感器、物（液）位变送器、流量传感器、流量变送器、电流（压）传感器、溶氧传感器、霍尔传感器、图像传感器、超声波传感器、位移传感器、速度传感器、加速度传感器、扭距传感器、红外传感器、紫外传感器、火焰传感器、激光传感器、振动传感器、轴角传感器、光电传感器、接近传感器、干簧管传感器、继电器传感器、微型电泵、磁敏（阻）传感器、压力开关、接近开关、光电开关、色标传感器、光纤传感器、齿轮测速传感器、时间继电器、计数器、计米器、温控仪、固态继电器、调压模块、电磁铁、电压表、电流表等特殊传感器。同时承接传感器应用电路、产品设计和自动化工程项目。

更多产品请看本公司产品专用销售网站：

商斯达中国传感器科技信息网：<http://www.sensor-ic.com/>

商斯达工控安防网：<http://www.pc-ps.net/>

商斯达电子元器件网：<http://www.sunstare.com/>

商斯达微波光电产品网：[HTTP://www.rfoe.net/](http://www.rfoe.net/)

商斯达消费电子产品网：<http://www.icasic.com/>

商斯达军工产品网：<http://www.junpinic.com/>

商斯达实业科技产品网：<http://www.sunstars.cn/> 传感器销售热线：

地址：深圳市福田区福华路福庆街鸿图大厦 1602 室

电话：0755-83607652 83376489 83376549 83370250 83370251 82500323

传真：0755-83376182 (0) 13902971329 MSN: SUNS888@hotmail.com

邮编：518033 E-mail: szss20@163.com QQ: 195847376

深圳赛格展销部：深圳华强北路赛格电子市场 2583 号 电话：0755-83665529 25059422

技术支持：0755-83394033 13501568376

欢迎索取免费详细资料、设计指南和光盘；产品凡多，未能尽录，欢迎来电查询。

北京分公司：北京海淀区知春路 132 号中发电子大厦 3097 号

TEL: 010-81159046 82615020 13501189838 FAX: 010-62543996

上海分公司：上海市北京东路 668 号上海赛格电子市场 D125 号

TEL: 021-28311762 56703037 13701955389 FAX: 021-56703037

西安分公司：西安高新开发区 20 所(中国电子科技集团导航技术研究所)

西安劳动南路 88 号电子商城二楼 D23 号

TEL: 029-81022619 13072977981 FAX:029-88789382