

# LM83

## Triple-Diode Input and Local Digital Temperature Sensor with Two-Wire Interface

### General Description

The LM83 is a digital temperature sensor with a 2 wire serial interface that senses the voltage and thus the temperature of three remote diodes using a Delta-Sigma analog-to-digital converter with a digital over-temperature detector. The LM83 accurately senses its own temperature as well as the temperature of three external devices, such as Pentium II® Processors or diode connected 2N3904s. The temperature of any ASIC can be detected using the LM83 as long as a dedicated diode (semiconductor junction) is available on the die. Using the SMBus interface a host can access the LM83's registers at any time. Activation of a  $\overline{T\_CRIT\_A}$  output occurs when any temperature is greater than a programmable comparator limit,  $T\_CRIT$ . Activation of an  $\overline{INT}$  output occurs when any temperature is greater than its corresponding programmable comparator HIGH limit.

The host can program as well as read back the state of the  $T\_CRIT$  register and the four  $T\_HIGH$  registers. Three state logic inputs allow two pins (ADD0, ADD1) to select up to 9 SMBus address locations for the LM83. The sensor powers up with default thresholds of 127°C for  $T\_CRIT$  and all  $T\_HIGH$ s. The LM83 is pin for pin and register compatible with the LM84 as well as the Maxim MAX1617 and the Analog Devices ADM1021.

### Features

- Accurately senses die temperature of 3 remote ICs, or diode junctions

- On-board local temperature sensing
- SMBus and I<sup>2</sup>C compatible interface, supports SMBus 1.1 TIMEOUT
- Two interrupt outputs:  $\overline{INT}$  and  $\overline{T\_CRIT\_A}$
- Register readback capability
- 7 bit plus sign temperature data format, 1 °C resolution
- 2 address select pins allow connection of 9 LM83s on a single bus

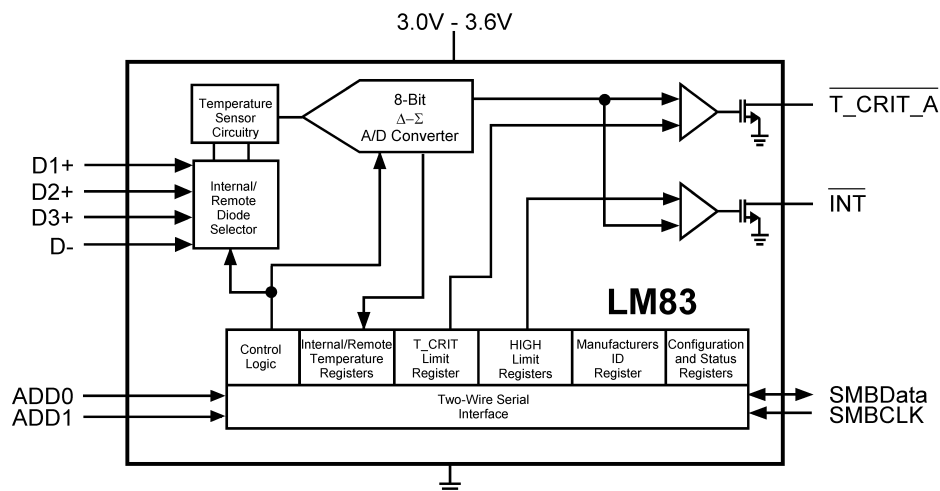
### Key Specifications

- |  |                            |
|--|----------------------------|
| ■ Supply Voltage   | 3.0V to 3.6V               |
| ■ Supply Current   | 0.8mA (max)                |
| ■ Local Temp Accuracy (includes quantization error)        | 0°C to +85°C ±3.0°C (max)  |
| ■ Remote Diode Temp Accuracy (includes quantization error) | +25°C to +100°C ±3°C (max) |
|  | 0°C to +125°C ±4°C (max)   |

### Applications

- System Thermal Management
- Computers
- Electronic Test Equipment
- Office Electronics
- HVAC

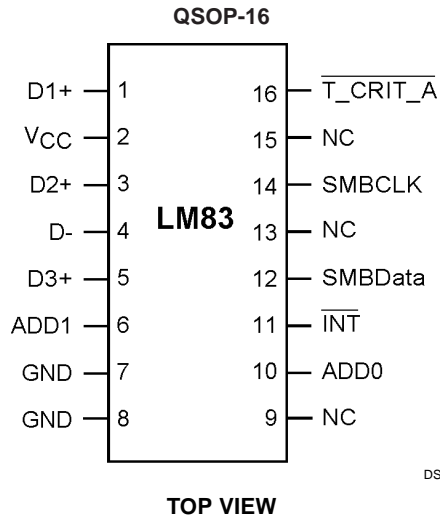
### Simplified Block Diagram



DS101058-1

SMBus™ is a trademark of the Intel Corporation.  
Pentium II® is a registered trademark of the Intel Corporation.  
I<sup>2</sup>C® is a registered trademark of the Philips Corporation.

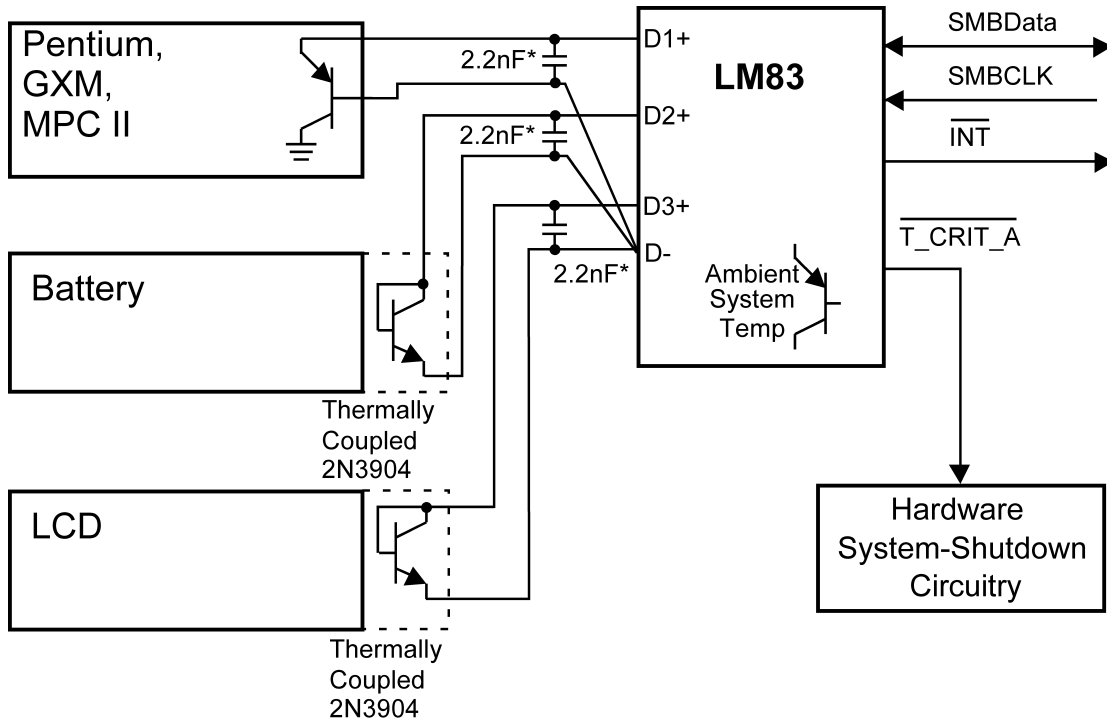
## Connection Diagram



## Ordering Information

| Order Number | NS Package Number | Transport Media             |
|--------------|-------------------|-----------------------------|
| LM83CIMQA    | MQA16A (QSOP-16)  | 95 Units in Rail            |
| LM83CIMQAX   | MQA16A (QSOP-16)  | 2500 Units on Tape and Reel |

## Typical Application



## Pin Description

| Label           | Pin #   | Function                      | Typical Connection   |
|-----------------|---------|-------------------------------|--|
| D1+, D2+, D3+   | 1, 3, 5 | Diode Current Source          | To Diode Anode. Connected to remote discrete diode junction or to the diode junction on a remote IC whose die temperature is being sensed. When not used they should be left floating. |
| V <sub>CC</sub> | 2       | Positive Supply Voltage Input | DC Voltage from 3.0 V to 3.6 V   |

**Pin Description** (Continued)

| Label                          | Pin #     | Function  | Typical Connection   |
|--------------------------------|-----------|---|--|
| D-                             | 4         | Diode Return Current Sink   | To all Diode Junction Cathodes using a star connection to pin. Must float when not used.   |
| ADD0-ADD1                      | 10, 6     | User-Set SMBus (I <sup>2</sup> C) Address Inputs                            | Ground (Low, "0"), V <sub>CC</sub> (High, "1") or open ("TRI-LEVEL")   |
| GND                            | 7, 8      | Power Supply Ground   | Ground   |
| NC                             | 9, 13, 15 | Manufacturing test pins.  | Left floating. PC board traces may be routed through the pads for these pins, although the components that drive these traces should share the same supply as the LM83 so that the Absolute Maximum Rating, Voltage at Any Pin, is not violated. |
| $\overline{\text{INT}}$        | 11        | Interrupt Output, open-drain  | Pull Up Resistor, Controller Interrupt or Alert Line   |
| SMBData                        | 12        | SMBus (I <sup>2</sup> C) Serial Bi-Directional Data Line, open-drain output | From and to Controller, Pull-Up Resistor   |
| SMBCLK                         | 14        | SMBus (I <sup>2</sup> C) Clock Input  | From Controller, Pull-Up Resistor  |
| $\overline{\text{T\_CRIT\_A}}$ | 16        | Critical Temperature Alarm, open-drain output                               | Pull Up Resistor, Controller Interrupt Line or System Shutdown   |

**Absolute Maximum Ratings** (Note 1)

|  |                                   |
|--|-----------------------------------|
| Supply Voltage   | -0.3 V to 6.0 V                   |
| Voltage at Any Pin   | -0.3 V to<br>( $V_{CC} + 0.3 V$ ) |
| D- Input Current   | $\pm 1$ mA                        |
| Input Current at All Other Pins (Note 2)                                   | 5 mA                              |
| Package Input Current (Note 2)   | 20 mA                             |
| SMBData, $\overline{T\_CRIT\_A}$ , $\overline{INT}$ Output Sink Current    | 10 mA                             |
| SMBCLK, SMBData, $\overline{T\_CRIT\_A}$ , $\overline{INT}$ Output Voltage | 6.0 V                             |
| Storage Temperature  | -65°C to +150°C                   |
| Soldering Information, Lead Temperature                                    |                                   |

## QSOP Package (Note 3)

|                             |        |
|-----------------------------|--------|
| Vapor Phase (60 seconds)    | 215°C  |
| Infrared (15 seconds)       | 220°C  |
| ESD Susceptibility (Note 4) |        |
| Human Body Model            | 2000 V |
| Machine Model               | 200 V  |

**Operating Ratings**

(Notes 1, 5)

|                                   |                        |
|-----------------------------------|------------------------|
| Specified Temperature Range       | $T_{MIN}$ to $T_{MAX}$ |
| LM83                              | -40°C to +125°C        |
| Supply Voltage Range ( $V_{CC}$ ) | +3.0V to +3.6V         |

**Temperature-to-Digital Converter Characteristics**

Unless otherwise noted, these specifications apply for  $V_{CC}=+3.0Vdc$  to 3.6Vdc. **Boldface limits apply for  $T_A = T_J = T_{MIN}$  to  $T_{MAX}$** ; all other limits  $T_A = T_J = +25^\circ C$ , unless otherwise noted.

| Parameter  | Conditions  | Typical<br>(Note 6) | Limits<br>(Note 7)        | Units<br>(Limit) |
|--|---|---------------------|---------------------------|------------------|
| Temperature Error using Local Diode ((Note 8))                         | $T_A = 0^\circ C$ to $+85^\circ C$ ,<br>$V_{CC}=+3.3V$    | $\pm 1$             | <b><math>\pm 3</math></b> | $^\circ C$ (max) |
|  | $T_A = -40^\circ C$ to $+125^\circ C$ ,<br>$V_{CC}=+3.3V$ |                     | <b><math>\pm 4</math></b> | $^\circ C$ (max) |
| Temperature Error using Remote Diode ((Note 8))                        | $T_A = +60^\circ C$ to $+100^\circ C$ ,<br>$V_{CC}=+3.3V$ |                     | <b><math>\pm 3</math></b> | $^\circ C$ (max) |
|  | $T_A = 25^\circ C$ to $+100^\circ C$ ,<br>$V_{CC}=+3.3V$  |                     | <b><math>\pm 3</math></b> | $^\circ C$ (max) |
|  | $T_A = 0^\circ C$ to $+125^\circ C$ ,<br>$V_{CC}=+3.3V$   |                     | <b><math>\pm 4</math></b> | $^\circ C$ (max) |
| Diode Channel to Channel Matching                                      |   | 0                   |                           | $^\circ C$       |
| Resolution   |   | 8                   |                           | Bits             |
|  |   | 1                   |                           | $^\circ C$       |
| Conversion Time of All Temperatures                                    | (Note 10)   | 460                 | <b>600</b>                | ms (max)         |
| Quiescent Current (Note 9)   | SMBus (I <sup>2</sup> C) Inactive                         | 0.500               | <b>0.80</b>               | mA (max)         |
| D- Source Voltage  |   | 0.7                 |                           | V                |
| Diode Source Current   | (D+ - D-)=+ 0.65V; high level                             |                     | <b>125</b>                | $\mu A$ (max)    |
|  |   |                     | <b>60</b>                 | $\mu A$ (min)    |
|  | Low level   |                     | <b>15</b>                 | $\mu A$ (max)    |
|  |   |                     | <b>5</b>                  | $\mu A$ (min)    |
| $\overline{T\_CRIT\_A}$ and $\overline{INT}$ Output Saturation Voltage | $I_{OUT} = 3.0$ mA  |                     | <b>0.4</b>                | V (max)          |
| Power-On Reset Threshold   | On $V_{CC}$ input, falling edge                           |                     | <b>2.3</b>                | V (max)          |
|  |   |                     | <b>1.8</b>                | V (min)          |
| Local and Remote $T\_CRIT$ and HIGH Default Temperature settings       | (Note 11)   | +127                |                           | $^\circ C$       |

**Logic Electrical Characteristics****DIGITAL DC CHARACTERISTICS**

Unless otherwise noted, these specifications apply for  $V_{CC}=+3.0$  to  $3.6$  Vdc. **Boldface limits apply for  $T_A = T_J = T_{MIN}$  to  $T_{MAX}$** ; all other limits  $T_A = T_J = +25^\circ\text{C}$ , unless otherwise noted.

| Symbol                     | Parameter                                   | Conditions                         | Typical<br>(Note 6) | Limits<br>(Note 7)       | Units<br>(Limit)    |
|----------------------------|---|------------------------------------|---------------------|--------------------------|---------------------|
| <b>SMBData, SMBCLK</b>     |   |                                    |                     |                          |                     |
| $V_{IN(1)}$                | Logical "1" Input Voltage                   |                                    |                     | <b>2.1</b>               | V (min)             |
| $V_{IN(0)}$                | Logical "0" Input Voltage                   |                                    |                     | <b>0.8</b>               | V (max)             |
| $V_{IN(HYST)}$             | SMBData and SMBCLK Digital Input Hysteresis |                                    | 300                 |                          | mV                  |
| $I_{IN(1)}$                | Logical "1" Input Current                   | $V_{IN} = V_{CC}$                  | 0.005               | <b>1.5</b>               | $\mu\text{A}$ (max) |
| $I_{IN(0)}$                | Logical "0" Input Current                   | $V_{IN} = 0$ V                     | -0.005              | <b>1.5</b>               | $\mu\text{A}$ (max) |
| <b>ADD0, ADD1</b>          |   |                                    |                     |                          |                     |
| $V_{IN(1)}$                | Logical "1" Input Voltage                   |                                    | $V_{CC}$            | <b>1.5</b>               | V (min)             |
| $V_{IN(0)}$                | Logical "0" Input Voltage                   |                                    | GND                 | <b>0.6</b>               | V (max)             |
| $I_{IN(1)}$                | Logical "1" Input Current                   | $V_{IN} = V_{CC}$                  |                     | <b>2</b>                 | $\mu\text{A}$ (max) |
| $I_{IN(0)}$                | Logical "0" Input Current                   | $V_{IN} = 0$ V                     |                     | <b>-2</b>                | $\mu\text{A}$ (max) |
| <b>ALL DIGITAL INPUTS</b>  |   |                                    |                     |                          |                     |
| $C_{IN}$                   | Input Capacitance                           |                                    | 20                  |                          | pF                  |
| <b>ALL DIGITAL OUTPUTS</b> |   |                                    |                     |                          |                     |
| $I_{OH}$                   | High Level Output Current                   | $V_{OH} = V_{CC}$                  |                     | <b>100</b>               | $\mu\text{A}$ (max) |
| $V_{OL}$                   | SMBus Low Level Output Voltage              | $I_{OL} = 3$ mA<br>$I_{OL} = 6$ mA |                     | <b>0.4</b><br><b>0.6</b> | V (max)             |

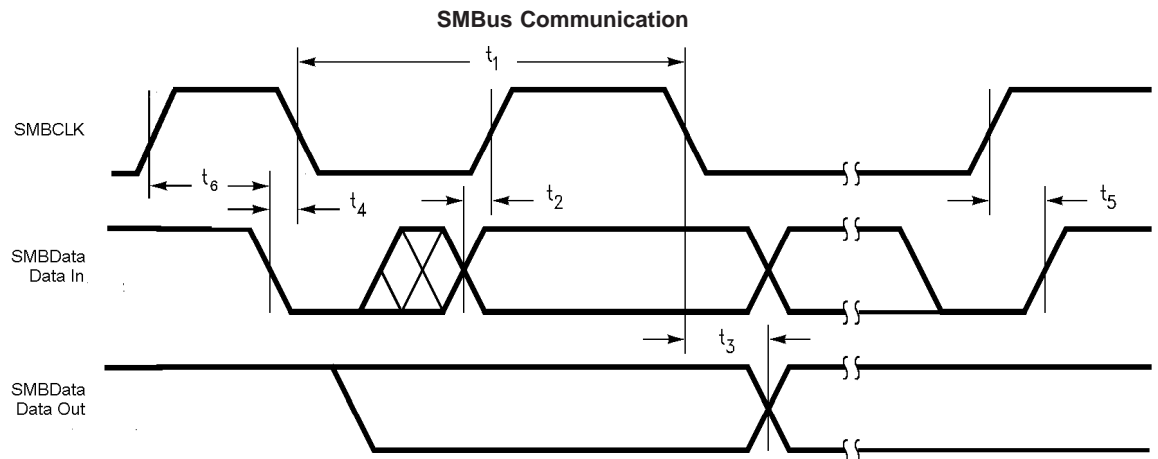
## Logic Electrical Characteristics (Continued)

### SMBus DIGITAL SWITCHING CHARACTERISTICS

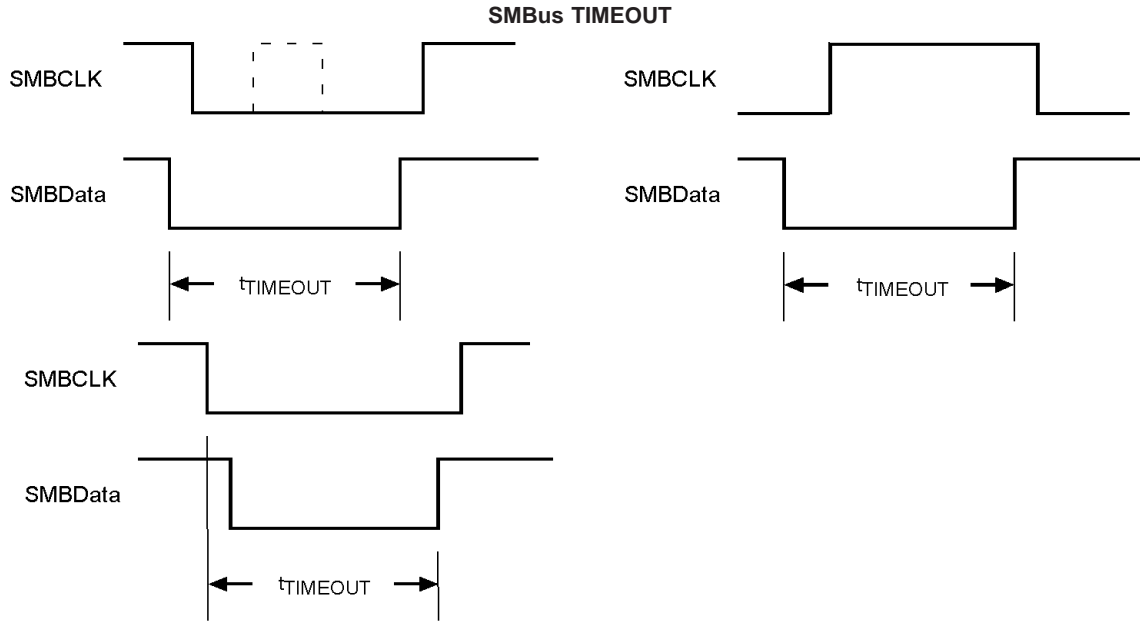
Unless otherwise noted, these specifications apply for  $V_{CC}=+3.0$  Vdc to  $+3.6$  Vdc,  $C_L$  (load capacitance) on output lines = 80 pF. **Boldface limits apply for  $T_A = T_J = T_{MIN}$  to  $T_{MAX}$** ; all other limits  $T_A = T_J = +25^\circ\text{C}$ , unless otherwise noted.

The switching characteristics of the LM83 fully meet or exceed the published specifications of the SMBus or I<sup>2</sup>C bus. The following parameters are the timing relationships between SMBCLK and SMBData signals related to the LM83. They are not the I<sup>2</sup>C or SMBus bus specifications.

| Symbol                  | Parameter   | Conditions                      | Typical<br>(Note 6) | Limits<br>(Note 7)       | Units<br>(Limit)                |
|-------------------------|---|---------------------------------|---------------------|--------------------------|---------------------------------|
| $f_{SMB}$               | SMBus Clock Frequency   |                                 |                     | <b>100</b><br><b>10</b>  | kHz (max)<br>kHz (min)          |
| $t_{LOW}$               | SMBus Clock Low Time  | 10 % to 10 %                    |                     | <b>1.3</b><br><b>25</b>  | $\mu\text{s}$ (min)<br>ms (max) |
| $t_{LOWMEXT}$           | Cumulative Clock Low Extend Time                                    |                                 |                     | <b>10</b>                | ms (max)                        |
| $t_{HIGH}$              | SMBus Clock High Time   | 90 % to 90%                     |                     | <b>0.6</b>               | $\mu\text{s}$ (min)             |
| $t_{R,SMB}$             | SMBus Rise Time   | 10% to 90%                      | 1                   |                          | $\mu\text{s}$ (max)             |
| $t_{F,SMB}$             | SMBus Fall Time   | 90% to 10%                      | 0.3                 |                          | ns (max)                        |
| $t_{OF}$                | Output Fall Time  | $C_L = 400$ pF,<br>$I_O = 3$ mA |                     | <b>250</b>               | ns (max)                        |
| $t_{TIMEOUT}$           | SMBData and SMBCLK Time Low for Reset of Serial Interface (Note 12) |                                 |                     | <b>25</b><br><b>40</b>   | ms (min)<br>ms (max)            |
| $t_1$                   | SMBCLK (Clock) Period   |                                 |                     | <b>10</b>                | $\mu\text{s}$ (min)             |
| $t_2$ ,<br>$t_{SU,DAT}$ | Data In Setup Time to SMBCLK High                                   |                                 |                     | <b>100</b>               | ns (min)                        |
| $t_3$ ,<br>$t_{HD,DAT}$ | Data Out Stable after SMBCLK Low                                    |                                 |                     | <b>300</b><br><b>TBD</b> | ns (min)<br>ns (max)            |
| $t_4$ ,<br>$t_{HD,STA}$ | SMBData Low Setup Time to SMBCLK Low                                |                                 |                     | <b>100</b>               | ns (min)                        |
| $t_5$ ,<br>$t_{SU,STO}$ | SMBData High Delay Time after SMBCLK High (Stop Condition Setup)    |                                 |                     | <b>100</b>               | ns (min)                        |
| $t_6$ ,<br>$t_{SU,STA}$ | SMBus Start-Condition Setup Time                                    |                                 |                     | <b>0.6</b>               | $\mu\text{s}$ (min)             |
| $t_{BUF}$               | SMBus Free Time   |                                 |                     | <b>1.3</b>               | $\mu\text{s}$ (min)             |



## Logic Electrical Characteristics (Continued)



DS101058-7

See drawing DS10105807

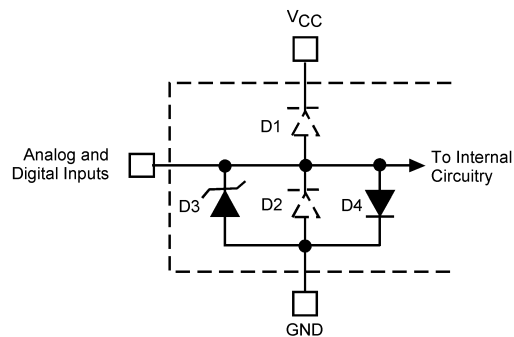
**Note 1:** Absolute Maximum Ratings indicate limits beyond which damage to the device may occur. DC and AC electrical specifications do not apply when operating the device beyond its rated operating conditions.

**Note 2:** When the input voltage ( $V_I$ ) at any pin exceeds the power supplies ( $V_I < GND$  or  $V_I > V_{CC}$ ), the current at that pin should be limited to 5 mA. The 20 mA maximum package input current rating limits the number of pins that can safely exceed the power supplies with an input current of 5 mA to four.

Parasitic components and or ESD protection circuitry are shown in the figure below for the LM83's pins. The nominal breakdown voltage of the zener D3 is 6.5 V. Care should be taken not to forward bias the parasitic diode, D1, present on pins: D+, D-, ADD1 and ADD0. Doing so by more than 50 mV may corrupt a temperature or voltage measurement.

| Pin Name   | D1 | D2 | D3 | D4 | Pin Name                                   | D1 | D2 | D3 | D4 |
|------------|----|----|----|----|--|----|----|----|----|
|            |    |    |    |    | $\overline{T\_CRIT\_A}$ & $\overline{INT}$ |    | x  |    |    |
| $V_{CC}$   |    |    | x  |    | SMBData                                    |    | x  | x  |    |
| D+         | x  | x  | x  |    | NC (pins 9 & 15)                           | x  | x  | x  |    |
| D-         | x  | x  | x  | x  | SMBCLK                                     |    | x  | x  |    |
| ADD0, ADD1 | x  | x  | x  |    | NC (pin 13)                                |    | x  | x  |    |

Note: An x indicates that the diode exists.



DS101058-13

**FIGURE 1. ESD Protection Input Structure**

**Note 3:** See AN-450 "Surface Mounting Methods and Their Effect on Product Reliability" or the section titled "Surface Mount" found in a current National Semiconductor Linear Data Book for other methods of soldering surface mount devices.

**Note 4:** Human body model, 100 pF discharged through a 1.5 k $\Omega$  resistor. Machine model, 200 pF discharged directly into each pin.

**Note 5:** Thermal resistance of the QSOP-16 package is xyz°C/W, junction-to-ambient when attached to a printed circuit board with 2 oz. foil as shown in Figure 3

## Logic Electrical Characteristics (Continued)

**Note 6:** Typicals are at  $T_A = 25^\circ\text{C}$  and represent most likely parametric norm.

**Note 7:** Limits are guaranteed to National's AOQL (Average Outgoing Quality Level).

**Note 8:** The Temperature Error will vary less than  $\pm 1.0^\circ\text{C}$  for a variation in  $V_{CC}$  of 3 V to 3.6 V from the nominal of 3.3 V.

**Note 9:** Quiescent current will not increase substantially with an active SMBus.

**Note 10:** This specification is provided only to indicate how often temperature data is updated. The LM83 can be read at any time without regard to conversion state (and will yield last conversion result).

**Note 11:** Default values set at power up.

**Note 12:** Holding the SMBData and/or SMBCLK lines Low for a time interval greater than  $t_{TIMEOUT}$  will cause the LM83 to reset SMBData and SMBCLK to the IDLE state of an SMBus communication (SMBCLK and SMBData set High).

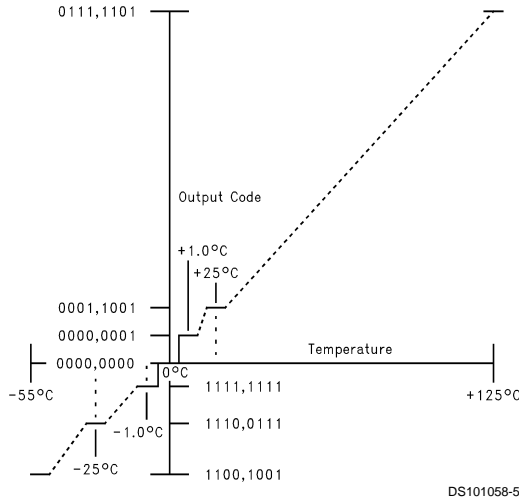


FIGURE 2. Temperature-to-Digital Transfer Function (Non-linear scale for clarity)

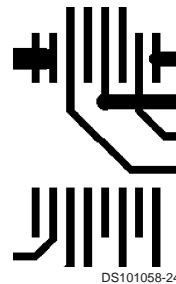


FIGURE 3. Printed Circuit Board Used for Thermal Resistance Specifications

## 1.0 Functional Description

The LM83 temperature sensor incorporates a band-gap type temperature sensor using a Local or three Remote diodes and an 8-bit ADC (Delta-Sigma Analog-to-Digital Converter). The LM83 is compatible with the serial SMBus and I<sup>2</sup>C two wire interfaces. Digital comparators compare Local (LT) and Remote (D1RT, D2RT and D3RT) temperature readings to user-programmable setpoints (LHS, D1RHS, D2RHS, D3RHS and TCS). Activation of the  $\overline{\text{INT}}$  output indicates that a comparison is greater than the limit preset in a HIGH register. The  $T\_CRIT$  setpoint (TCS) interacts with all the temperature readings. Activation of the  $\overline{\text{T\_CRIT\_A}}$  output indicates that any or all of the temperature readings have exceed the  $T\_CRIT$  setpoint.

### 1.1 CONVERSION SEQUENCE

The LM83 converts its own temperature as well as 3 remote diode temperatures in the following sequence:

1. Local Temperature (LT)

2. Remote Diode 2 (D2RT)
3. Remote Diode 1 (D1RT)
4. Remote Diode 3 (D3RT)

This round robin sequence takes approximately 480 ms to complete as each temperature is digitized in approximately 120 ms.

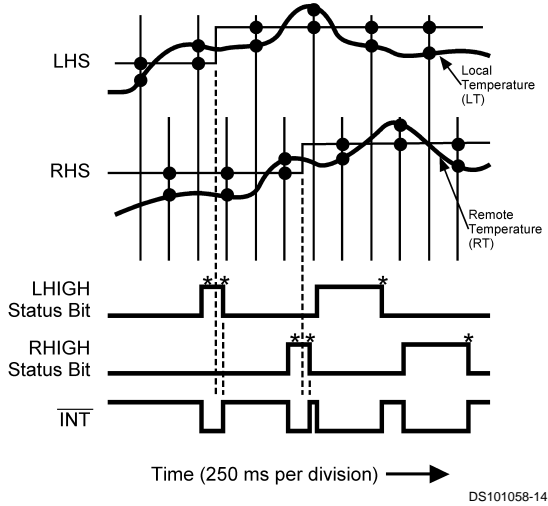
### 1.2 $\overline{\text{INT}}$ OUTPUT and $T\_HIGH$ LIMITS

Each temperature reading (LT, D1RT, D2RT, and D3RT) is associated with a  $T\_HIGH$  setpoint register (LHS, D1RHS, D2RHS, D3RHS). At the end of a temperature reading a digital comparison determines whether that reading has exceed its HIGH setpoint. If the temperature reading is greater than the HIGH setpoint, a bit is set in one of the Status Registers, to indicate which temperature reading, and the  $\overline{\text{INT}}$  output is activated.

Local and remote temperature diodes are sampled in sequence by the A/D converter. The  $\overline{\text{INT}}$  output and the Status

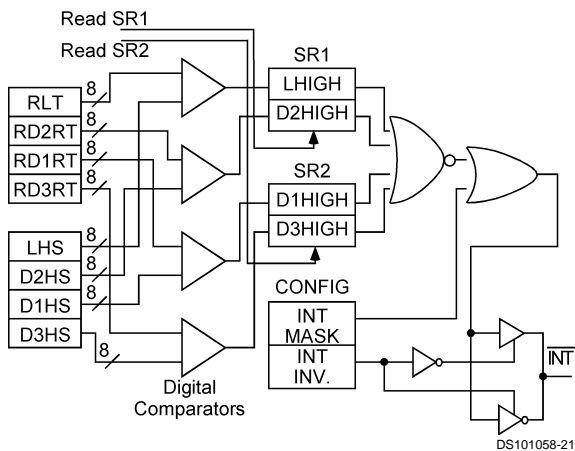
## 1.0 Functional Description (Continued)

Register flags are updated at the completion of a conversion, which occurs approximately 60 ms after a temperature diode is sampled.  $\overline{INT}$  is deactivated when the Status Register, containing the set bit, is read and a temperature reading is less than or equal to its corresponding HIGH setpoint, as shown in Figure 4. Figure 5 shows a simplified logic diagram for the  $\overline{INT}$  output and related circuitry.



\* Note: Status Register Bits are reset by a read of Status Register where bit is located.

**FIGURE 4.  $\overline{INT}$  Temperature Response Diagram with D2RHS and D3RHS set to 127°C.**



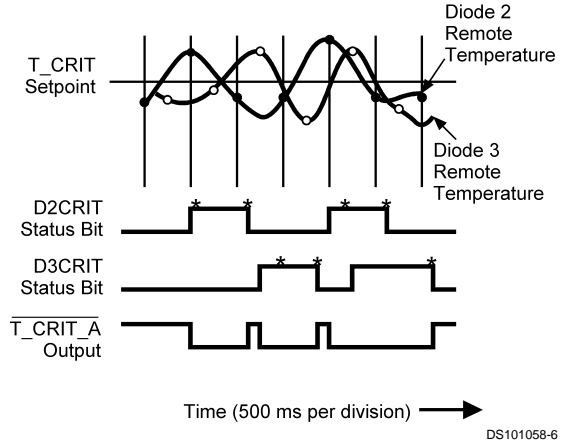
**FIGURE 5.  $\overline{INT}$  output related circuitry logic diagram**

The  $\overline{INT}$  output can be disabled by setting the  $\overline{INT}$  mask bit, D7, of the configuration register.  $\overline{INT}$  can be programmed to be active high or low by the state of the  $\overline{INT}$  inversion bit, D1, in the configuration register. A "0" would program  $\overline{INT}$  to be active low.  $\overline{INT}$  is an open-drain output.

### 1.3 $\overline{T\_CRIT\_A}$ OUTPUT and $T\_CRIT$ LIMIT

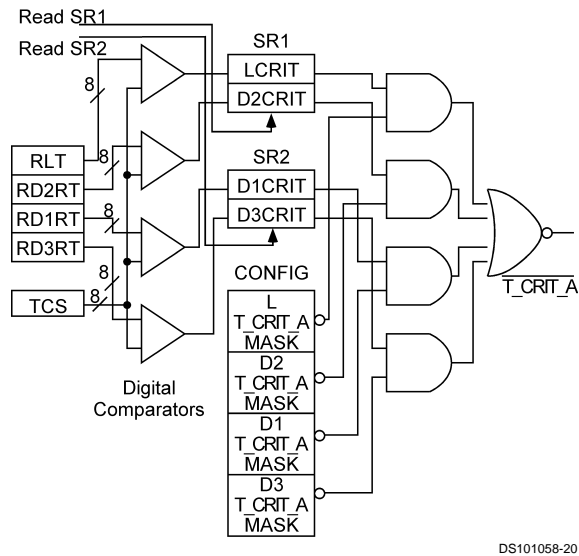
$\overline{T\_CRIT\_A}$  is activated when any temperature reading is greater than the limit preset in the critical temperature setpoint register ( $T\_CRIT$ ), as shown in Figure 6. The Status Registers can be read to determine which event caused the alarm. A bit in the Status Registers is set high to indicate which temperature reading exceeded the  $T\_CRIT$  setpoint and caused the alarm, see Section 2.3.

Local and remote temperature diodes are sampled in sequence by the A/D converter. The  $\overline{T\_CRIT\_A}$  output and the Status Register flags are updated at the completion of a conversion.  $\overline{T\_CRIT\_A}$  and the Status Register flags are reset only after the Status Register is read and if a temperature conversion is below the  $T\_CRIT$  setpoint, as shown in Figure 6. Figure 7 shows a simplified logic diagram of the  $\overline{T\_CRIT\_A}$  and related circuitry.



\* Note: Status Register Bits are reset by a read of Status Register where bit is located.

**FIGURE 6.  $\overline{T\_CRIT\_A}$  Temperature Response Diagram with remote diode 1 and local temperature masked.**



**FIGURE 7.  $\overline{T\_CRIT\_A}$  output related circuitry logic diagram**

Located in the Configuration Register are the mask bits for each temperature reading, see Section 2.5. When a mask bit is set, its corresponding status flag will not propagate to the  $\overline{T\_CRIT\_A}$  output, but will still be set in the Status Registers. Setting all four mask bits or programming the  $T\_CRIT$  setpoint to 127°C will disable the  $\overline{T\_CRIT\_A}$  output.

### 1.4 POWER ON RESET DEFAULT STATES

LM83 always powers up to these known default states:

1. Command Register set to 00h
2. Local Temperature set to 0°C

## 1.0 Functional Description (Continued)

- Diode 1, Diode 2, and Diode 3 Remote Temperature set to 0°C until the LM83 senses a diode present between the D+ and D- input pins.
- Status Registers 1 and 2 set to 00h.
- Configuration Register set to 00h;  $\overline{\text{INT}}$  enabled and all T\_CRIT setpoints enabled to activate  $\overline{\text{T\_CRIT\_A}}$ .
- Local and all Remote T\_CRIT set to 127°C

### 1.5 SMBus INTERFACE

The LM83 operates as a slave on the SMBus, so the SMBCLK line is an input (no clock is generated by the LM83) and the SMBData line is bi-directional. According to SMBus specifications, the LM83 has a 7-bit slave address. Bit 4 (A3) of the slave address is hard wired inside the LM83 to a 1. The remainder of the address bits are controlled by the state of the address select pins ADD1 and ADD0, and are set by connecting these pins to ground for a low, (0) , to  $V_{CC}$  for a high, (1), or left floating (TRI-LEVEL).

Therefore, the complete slave address is:

|     |    |    |   |    |    |     |
|-----|----|----|---|----|----|-----|
| A6  | A5 | A4 | 1 | A2 | A1 | A0  |
| MSB |    |    |   |    |    | LSB |

and is selected as follows:

| Address Select Pin State |           | LM83 SMBus Slave Address |
|--------------------------|-----------|--------------------------|
| ADD0                     | ADD1      | A6:A0 binary             |
| 0                        | 0         | 001 1000                 |
| 0                        | TRI-LEVEL | 001 1001                 |
| 0                        | 1         | 001 1010                 |
| TRI-LEVEL                | 0         | 010 1001                 |
| TRI-LEVEL                | TRI-LEVEL | 010 1010                 |
| TRI-LEVEL                | 1         | 010 1011                 |
| 1                        | 0         | 100 1100                 |
| 1                        | TRI-LEVEL | 100 1101                 |
| 1                        | 1         | 100 1110                 |

The LM83 latches the state of the address select pins during the first read or write on the SMBus. Changing the state of the address select pins after the first read or write to any device on the SMBus will not change the slave address of the LM83.

### 1.6 TEMPERATURE DATA FORMAT

Temperature data can be read from the Local and Remote Temperature, T\_CRIT, and HIGH setpoint registers; and written to the T\_CRIT and HIGH setpoint registers. Temperature data is represented by an 8-bit, two's complement byte with an LSB (Least Significant Bit) equal to 1°C:

| Temperature | Digital Output |     |
|-------------|----------------|-----|
|             | Binary         | Hex |
| +125°C      | 0111 1101      | 7Dh |
| +25°C       | 0001 1001      | 19h |
| +1°C        | 0000 0001      | 01h |
| 0°C         | 0000 0000      | 00h |
| -1°C        | 1111 1111      | FFh |
| -25°C       | 1110 0111      | E7h |
| -55°C       | 1100 1001      | C9h |

### 1.7 OPEN-DRAIN OUTPUTS

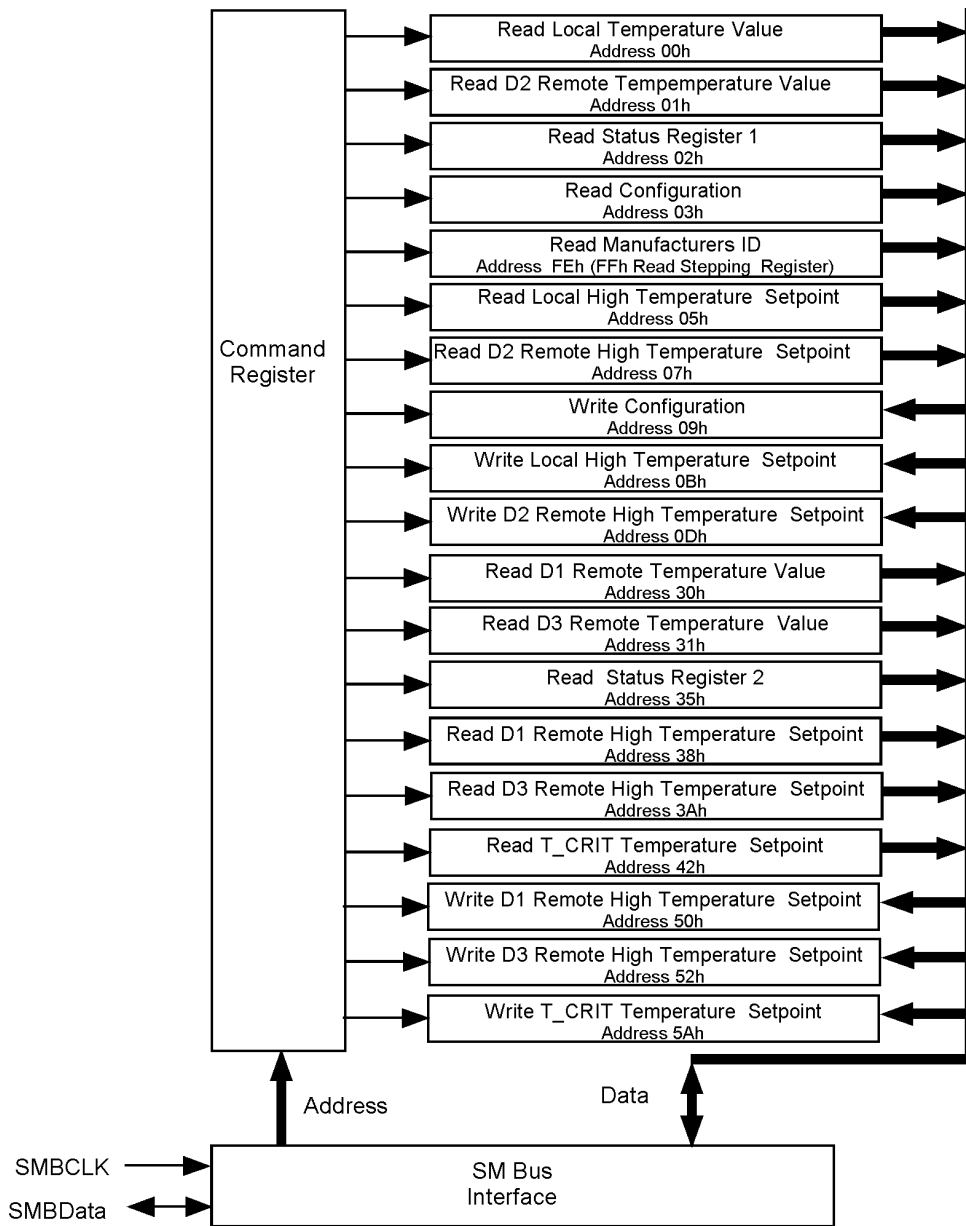
The SMBData,  $\overline{\text{INT}}$  and  $\overline{\text{T\_CRIT\_A}}$  outputs are open-drain outputs and do not have internal pull-ups. A "high" level will not be observed on these pins until pull-up current is provided from some external source, typically a pull-up resistor. Choice of resistor value depends on many system factors but, in general, the pull-up resistor should be as large as possible. This will minimize any internal temperature reading errors due to internal heating of the LM83. The maximum resistance of the pull up, based on LM83 specification for High Level Output Current, to provide a 2.1V high level, is 30kΩ.

### 1.8 DIODE FAULT DETECTION

Before each external conversion the LM83 goes through an external diode fault detection sequence. If a D+ input is shorted to  $V_{CC}$  or floating then the temperature reading will be +127 °C, and its OPEN bit in the Status Register will be set. If the T\_CRIT setpoint is set to less than +127 °C then the D+ inputs RTCRIT bit in the Status Register will be set which will activate the  $\overline{\text{T\_CRIT\_A}}$  output, if enabled. If a D+ is shorted to GND or D-, its temperature reading will be 0 °C and its OPEN bit in the Status Register will not be set.

## 1.0 Functional Description (Continued)

### 1.9 COMMUNICATING with the LM83



DS101058-9

There are 19 data registers in the LM83, selected by the Command Register. At power-up the Command Register is set to "00", the location for the Read Local Temperature Register. The Command Register latches the last location it was set to. Reading the Status Register resets  $\overline{T\_CRIT\_A}$  and  $\overline{INT}$ , so long as a temperature comparison does not signal a fault (see *Sections 1.2 and 1.3*). All other registers are predefined as read only or write only. Read and write registers with the same function contain mirrored data.

A **Write** to the LM83 will always include the address byte and the command byte. A write to any register requires one data byte.

**Reading** the LM83 can take place either of two ways:

1. If the location latched in the Command Register is correct (most of the time it is expected that the Command Register will point to one of the Read Temperature Reg-

isters because that will be the data most frequently read from the LM83), then the read can simply consist of an address byte, followed by retrieving the data byte.

2. If the Command Register needs to be set, then an address byte, command byte, repeat start, and another address byte will accomplish a read.

The data byte has the most significant bit first. At the end of a read, the LM83 can accept either Acknowledge or No Acknowledge from the Master (No Acknowledge is typically used as a signal for the slave that the Master has read its last byte).

#### 1.10 SERIAL INTERFACE ERROR RECOVERY

The LM83 SMBus lines will be reset to the SMBus idle state if the SMBData or SMBCLK lines are held low for 40 ms or more ( $t_{TIMEOUT}$ ). The LM83 may or may not reset the state of

## 1.0 Functional Description (Continued)

the serial interface logic if either of the SMBData or SMBCLK lines are held low between 25 ms and 40 ms. TIMEOUT allows a clean recovery in cases where the master may be reset while the LM83 is transmitting a low bit thus preventing possible bus lock up.

Whenever the LM83 sees the start condition its serial interface will reset to the beginning of the communication, thus the LM83 will expect to see an address byte next. This simplifies recovery when the master is reset while the LM83 is transmitting a high.

## 1.0 Functional Description (Continued)

### 2.0 LM83 REGISTERS

#### 2.1 COMMAND REGISTER

Selects which registers will be read from or written to. Data for this register should be transmitted during the Command Byte of the SMBus write communication.

| P7 | P6             | P5 | P4 | P3 | P2 | P1 | P0 |
|----|----------------|----|----|----|----|----|----|
| 0  | Command Select |    |    |    |    |    |    |

P0-P7: Command Select

| Command Select Address | Power On Default State |                | Register Name | Register Function             |
|------------------------|------------------------|----------------|---------------|-------------------------------|
|                        | <P7:P0> hex            | <D7:D0> binary |               |                               |
| 00h                    | 0000 0000              | 0              | RLT           | Read Local Temperature        |
| 01h                    | 0000 0000              | 0              | RD2RT         | Read D2 Remote Temperature    |
| 02h                    | 0000 0000              | 0              | RSR1          | Read Status Register 1        |
| 03h                    | 0000 0000              | 0              | RC            | Read Configuration            |
| 04h                    | 0000 0000              | 0              |               | Reserved                      |
| 05h                    | 0111 1111              | 127            | RLHS          | Read Local HIGH Setpoint      |
| 06h                    |                        |                |               | Reserved                      |
| 07h                    | 0111 1111              | 127            | RD2RHS        | Read D2 Remote HIGH Setpoint  |
| 08h                    |                        |                |               | Reserved                      |
| 09h                    | 0000 0000              |                | WC            | Write Configuration           |
| 0Ah                    |                        |                |               | Reserved                      |
| 0Bh                    | 0111 1111              | 127            | WD2LHS        | Write Local HIGH Setpoint     |
| 0Ch                    |                        |                |               | Reserved                      |
| 0Dh                    | 0111 1111              | 127            | WD2RHS        | Write D2 Remote HIGH Setpoint |
| 0Eh-2Fh                |                        |                |               | Reserved for Future Use       |
| 30h                    | 0000 0000              | 0              | RD1RT         | Read D1 Remote Temperature    |
| 31h                    | 0000 0000              | 0              | RD3RT         | Read D3 Remote Temperature    |
| 32h-34h                |                        |                |               | Reserved for Future Use       |
| 35h                    | 0000 0000              | 0              | RSR2          | Read Status Register 2        |
| 36h-37h                |                        |                |               | Reserved for Future Use       |
| 38h                    | 0111 1111              | 127            | RD1RHS        | Read D1 Remote HIGH Setpoint  |
| 39h                    |                        |                |               | Reserved for Future Use       |
| 3Ah                    | 0111 1111              | 127            | RD3RHS        | Read D3 Remote HIGH Setpoint  |
| 3Bh-41h                |                        |                |               | Reserved for Future Use       |
| 42h                    | 0111 1111              | 127            | RTCS          | Read T_CRIT Setpoint          |
| 43h-4Fh                |                        |                |               | Reserved for Future Use       |
| 50h                    | 0111 1111              | 127            | WD1RHS        | Write D1 Remote HIGH Setpoint |
| 51h                    |                        |                |               | Reserved for Future Use       |
| 52h                    | 0111 1111              | 127            | WD3RHS        | Write D3 Remote HIGH Setpoint |
| 53h-59h                |                        |                |               | Reserved for Future Use       |
| 5Ah                    | 0111 1111              | 127            | WTCS          | Write T_CRIT Setpoint         |

## 1.0 Functional Description (Continued)

| Command Select Address | Power On Default State |                 | Register Name | Register Function                  |
|------------------------|------------------------|-----------------|---------------|------------------------------------|
|                        | <D7:D0> binary         | <D7:D0> decimal |               |                                    |
| 5Ch-6Fh and F0h-FDh    |                        |                 |               | Reserved for Future Use            |
| FEh                    | 0000 0001              | 1               | RMID          | Read Manufacturers ID              |
| FFh                    |                        |                 | RSR           | Read Stepping or Die Revision Code |

### 2.2 LOCAL and D1, D2 and D3 REMOTE TEMPERATURE REGISTERS (LT, D1RT, D2RT, and D3RT)

(Read Only Address 00h, 01h, 30h and 31h):

| D7  | D6    | D5    | D4    | D3    | D2    | D1    | D0  |
|-----|-------|-------|-------|-------|-------|-------|-----|
| MSB | Bit 6 | Bit 5 | Bit 4 | Bit 3 | Bit 2 | Bit 1 | LSB |

D7–D0: Temperature Data. One LSB = 1°C. Two's complement format.

### 2.3 STATUS REGISTERS 1 and 2

2.3.1 Status Register 1 (SR1) (Read Only Address 02h):

| D7 | D6    | D5 | D4      | D3 | D2     | D1     | D0    |
|----|-------|----|---------|----|--------|--------|-------|
| 0  | LHIGH | 0  | D2RHIGH | 0  | D2OPEN | D2CRIT | LCRIT |

Power up default is with all bits "0" (zero).

D0: LCRIT: When set to a 1 indicates an Local Critical Temperature alarm.

D1: D2CRIT: When set to a 1 indicates a Remote Diode 2 Critical Temperature alarm.

D2: D2OPEN: When set to 1 indicates a Remote Diode 2 disconnect.

D4: D2RHIGH: When set to 1 indicates a Remote Diode 2 HIGH Temperature alarm.

D6: LHIGH: When set to 1 indicates a Local HIGH Temperature alarm.

D7, D5, and D3: These bits are always set to 0 and reserved for future use.

## Status Register 2

2.3.2 Status Register 2 (SR2) (Read Only Address 35h):

| D7      | D6 | D5     | D4      | D3 | D2     | D1     | D0     |
|---------|----|--------|---------|----|--------|--------|--------|
| D1RHIGH | 0  | D1OPEN | D3RHIGH | 0  | D3OPEN | D3CRIT | D1CRIT |

Power up default is with all bits "0" (zero).

D0: D1CRIT, when set to 1 indicates a Remote Diode 1 Critical Temperature alarm.

D1: D3CRIT, when set to 1 indicates a Remote Diode 3 Critical Temperature alarm.

D2: D3OPEN, when set to 1 indicates a Remote Diode 3 disconnect.

D4: D3RHIGH, when set to 1 indicates a Remote Diode 3 HIGH Temperature alarm.

D5: D1OPEN, when set to 1 indicates a Remote Diode 1 disconnect.

D7: D1RHIGH, when set to 1 indicates a Remote Diode 1 HIGH Temperature alarm.

D6, and D3: These bits are always set to 0 and reserved for future use.

### 2.4 MANUFACTURERS ID REGISTER

(Read Address FEh) Default value 01h.

### 2.5 CONFIGURATION REGISTER

(Read Address 03h/Write Address 09h):

| D7                           | D6 | D5   | D4   | D3   | D2  | D1                                | D0 |
|------------------------------|----|--|--|--|---|-----------------------------------|----|
| $\overline{\text{INT}}$ mask | 0  | $\frac{\text{D1}}{\text{T\_CRIT\_A}}$ mask | $\frac{\text{D2}}{\text{T\_CRIT\_A}}$ mask | $\frac{\text{D3}}{\text{T\_CRIT\_A}}$ mask | $\frac{\text{Local}}{\text{T\_CRIT\_A}}$ mask | $\overline{\text{INT}}$ Inversion | 0  |

Power up default is with all bits "0" (zero).

D7:  $\overline{\text{INT}}$  mask: When set to 1  $\overline{\text{INT}}$  interrupts are masked.

## 1.0 Functional Description (Continued)

D5: T\_CRIT mask for Diode 1, when set to 1 a Diode 1 temperature reading that exceeds T\_CRIT setpoint will not activate the  $\overline{T\_CRIT\_A}$  pin.

D4: T\_CRIT mask for Diode 2, when set to 1 a Diode 2 temperature reading that exceeds T\_CRIT setpoint will not activate the  $\overline{T\_CRIT\_A}$  pin.

D3: T\_CRIT mask for Diode 3, when set to 1 a Diode 3 temperature reading that exceeds T\_CRIT setpoint will not activate the  $\overline{T\_CRIT\_A}$  pin.

D2: T\_CRIT mask for Local reading, when set to 1 a Local temperature reading that exceeds T\_CRIT setpoint will not activate the  $\overline{T\_CRIT\_A}$  pin.

D1:  $\overline{INT}$  active state inversion. When  $\overline{INT}$  Inversion is set to a 1 the active state of the  $\overline{INT}$  output will be a logical high. A low would then select an active state of a logical low.

D6 and D0: These bits are always set to 0 and reserved for future use. A write of 1 will return a 0 when read.

### 2.6 LOCAL, DIODE 1, DIODE 2 and DIODE 3 HIGH SETPOINT REGISTERS (LHS, D1RHS, D2RHS and D3RHS)

(Read Address 05h, 07h, 38h, 3Ah /Write Address 0Bh, 0Dh, 50h, 52h):

| D7  | D6    | D5    | D4    | D3    | D2    | D1    | D0  |
|-----|-------|-------|-------|-------|-------|-------|-----|
| MSB | Bit 6 | Bit 5 | Bit 4 | Bit 3 | Bit 2 | Bit 1 | LSB |

D7–D0: HIGH setpoint temperature data. Power up default is LHIGH = RD1HIGH=RD2HIGH=RD3HIGH = 127°C.

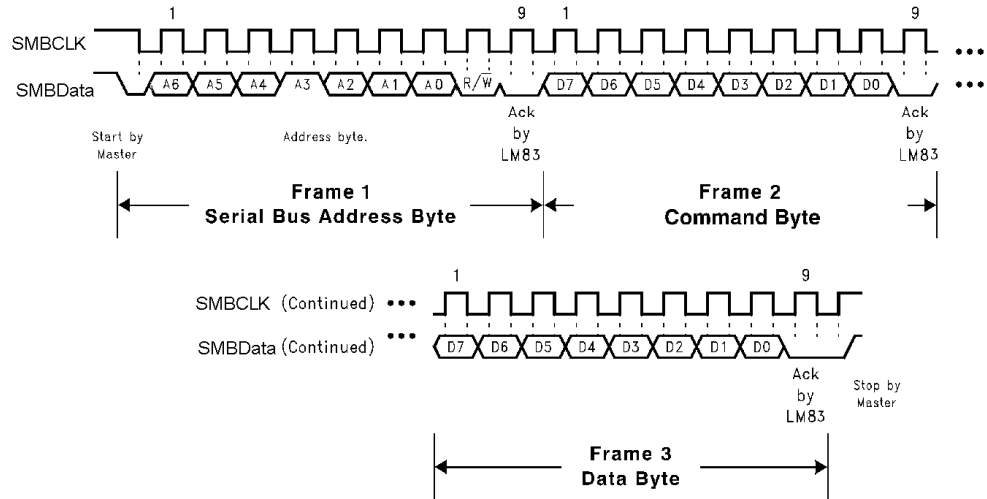
### 2.7 T\_CRIT REGISTER (TCS)

(Read Address 42h/Write Address 5Ah):

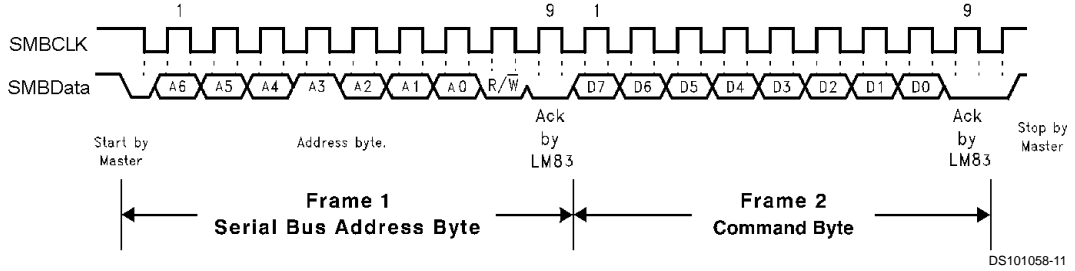
| D7  | D6    | D5    | D4    | D3    | D2    | D1    | D0  |
|-----|-------|-------|-------|-------|-------|-------|-----|
| MSB | Bit 6 | Bit 5 | Bit 4 | Bit 3 | Bit 2 | Bit 1 | LSB |

D7–D0: T\_CRIT setpoint temperature data. Power up default is T\_CRIT = 127°C.

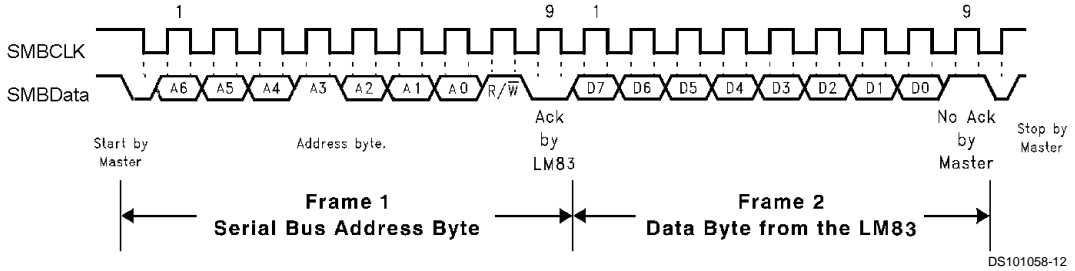
### 3.0 SMBus Timing Diagrams



(a) Serial Bus Write to the internal Command Register followed by a the Data Byte



(b) Serial Bus Write to the internal Command Register



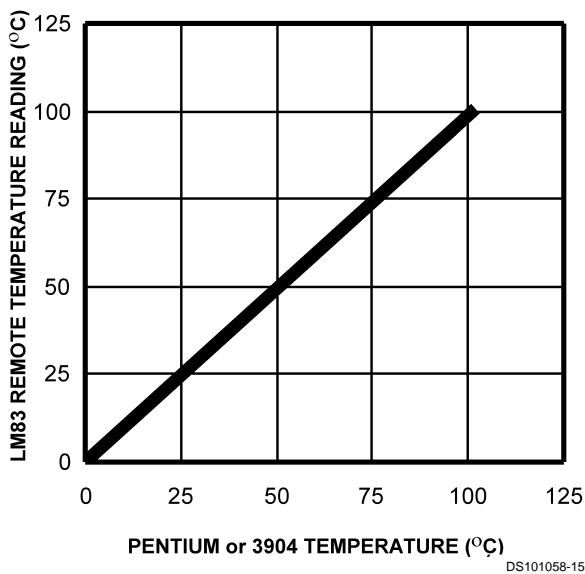
(c) Serial Bus Read from a Register with the internal Command Register preset to desired value.

FIGURE 8. Serial Bus Timing Diagrams

## 4.0 Application Hints

The LM83 can be applied easily in the same way as other integrated-circuit temperature sensors, and its remote diode sensing capability allows it to be used in new ways as well. It can be soldered to a printed circuit board, and because the path of best thermal conductivity is between the die and the pins, its temperature will effectively be that of the printed circuit board lands and traces soldered to the LM83's pins. This presumes that the ambient air temperature is almost the same as the surface temperature of the printed circuit board; if the air temperature is much higher or lower than the surface temperature, the actual temperature of the of the LM83 die will be at an intermediate temperature between the surface and air temperatures. Again, the primary thermal conduction path is through the leads, so the circuit board temperature will contribute to the die temperature much more strongly than will the air temperature.

To measure temperature external to the LM83's die, use a remote diode. This diode can be located on the die of a target IC, allowing measurement of the IC's temperature, independent of the LM83's temperature. The LM83 has been optimized to measure the remote diode of a Pentium II processor as shown in *Figure 9*. A discrete diode can also be used to sense the temperature of external objects or ambient air. Remember that a discrete diode's temperature will be affected, and often dominated, by the temperature of its leads.



DS101058-15

**Pentium or 3904 Temperature vs LM83 Temperature Reading**

Most silicon diodes do not lend themselves well to this application. It is recommended that a 2N3904 transistor base emitter junction be used with the collector tied to the base.

A diode connected 2N3904 approximates the junction available on a Pentium microprocessor for temperature measurement. Therefore, the LM83 can sense the temperature of this diode effectively.

### 3.1 ACCURACY EFFECTS OF DIODE NON-IDEALITY FACTOR

The technique used in today's remote temperature sensors is to measure the change in  $V_{BE}$  at two different operating points of a diode. For a bias current ratio of  $N:1$ , this difference is given as:

$$\Delta V_{BE} = \eta \frac{kT}{q} \ln(N)$$

where:

- $\eta$  is the non-ideality factor of the process the diode is manufactured on,
- $q$  is the electron charge,
- $k$  is the Boltzmann's constant,
- $N$  is the current ratio,
- $T$  is the absolute temperature in °K.

The temperature sensor then measures  $\Delta V_{BE}$  and converts to digital data. In this equation,  $k$  and  $q$  are well defined universal constants, and  $N$  is a parameter controlled by the temperature sensor. The only other parameter is  $\eta$ , which depends on the diode that is used for measurement. Since  $\Delta V_{BE}$  is proportional to both  $\eta$  and  $T$ , the variations in  $\eta$  cannot be distinguished from variations in temperature. Since the non-ideality factor is not controlled by the temperature sensor, it will directly add to the inaccuracy of the sensor. For the Pentium II Intel specifies a  $\pm 1\%$  variation in  $\eta$  from part to part. As an example, assume a temperature sensor has an accuracy specification of  $\pm 3^\circ\text{C}$  at room temperature of  $25^\circ\text{C}$  and the process used to manufacture the diode has a non-ideality variation of  $\pm 1\%$ . The resulting accuracy of the temperature sensor at room temperature will be:

$$T_{ACC} = \pm 3^\circ\text{C} + (\pm 1\% \text{ of } 298^\circ\text{K}) = \pm 6^\circ\text{C}.$$

The additional inaccuracy in the temperature measurement caused by  $\eta$ , can be eliminated if each temperature sensor is calibrated with the remote diode that it will be paired with.

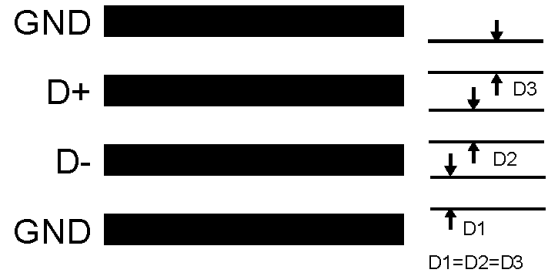
### 3.2 PCB LAYOUT for MINIMIZING NOISE

In a noisy environment, such as a processor mother board, layout considerations are very critical. Noise induced on traces running between the remote temperature diode sensor and the LM83 can cause temperature conversion errors. The following guidelines should be followed:

1. Place a  $0.1 \mu\text{F}$  power supply bypass capacitor as close as possible to the  $V_{CC}$  pin and the recommended  $2.2 \text{ nF}$  capacitor as close as possible to the D+ and D- pins. Make sure the traces to the  $2.2 \text{ nF}$  capacitor are matched.
2. The recommended  $2.2 \text{ nF}$  diode bypass capacitor actually has a range of  $200 \text{ pF}$  to  $3.3 \text{ nF}$ . The average temperature accuracy will not degrade. Increasing the capacitance will lower the corner frequency where differential noise error affects the temperature reading thus producing a reading that is more stable. Conversely, lowering the capacitance will increase the corner frequency where differential noise error affects the temperature reading thus producing a reading that is less stable.
3. Ideally, the LM83 should be placed within  $10 \text{ cm}$  of the Processor diode pins with the traces being as straight, short and identical as possible. Trace resistance of  $1 \Omega$  can cause as much as  $1^\circ\text{C}$  of error.
4. Diode traces should be surrounded by a GND guard ring to either side, above and below if possible. This GND guard should not be between the D+ and D- lines. In the event that noise does couple to the diode lines it would be ideal if it is coupled common mode. That is equally to the D+ and D- lines. (See *Figure 10*)
5. Avoid routing diode traces in close proximity to power supply switching or filtering inductors.

### 4.0 Application Hints (Continued)

6. Avoid running diode traces close to or parallel to high speed digital and bus lines. Diode traces should be kept at least 2cm. apart from the high speed digital traces.
7. If it is necessary to cross high speed digital traces, the diode traces and the high speed digital traces should cross at a 90 degree angle.
8. The ideal place to connect the LM83's GND pin is as close as possible to the Processors GND associated with the sense diode. For the Pentium II this would be pin A14.
9. Leakage current between D+ and GND should be kept to a minimum. One nano-ampere of leakage can cause as much as 1°C of error in the diode temperature reading. Keeping the printed circuit board as clean as possible will minimize leakage current.

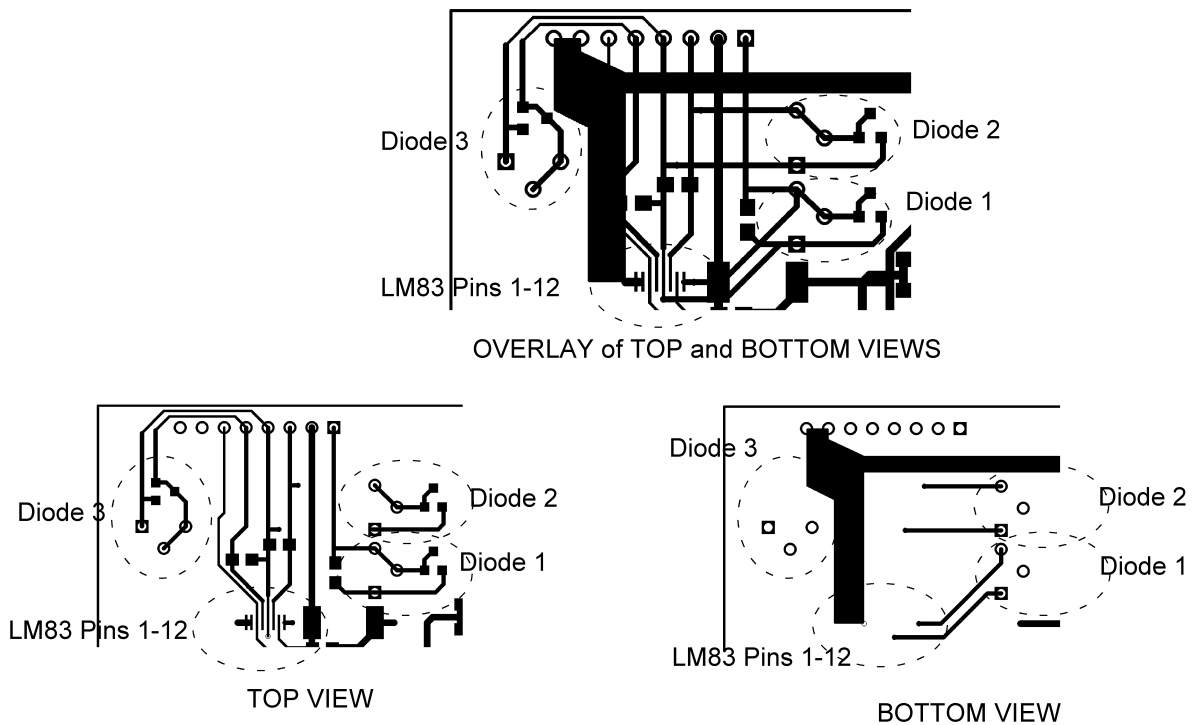


DS101058-17

FIGURE 10. Ideal Diode Trace Layout

Noise coupling into the digital lines greater than 300mVp-p (typical hysteresis), overshoot greater than 500mV above  $V_{CC}$ , and undershoot less than 500mV below GND, may prevent successful SMBus communication with the LM83. SMBus no acknowledge is the most common symptom, causing unnecessary traffic on the bus. Although, the SMBus maximum frequency of communication is rather low (100kHz max) care still needs to be taken to ensure proper termination within a system with multiple parts on the bus and long printed circuit board traces. An R/C lowpass filter with a 3db corner frequency of about 40MHz has been included on the LM83's SMBCLK input. Additional resistance can be added in series with the SMBData and SMBCLK lines to further help filter noise and ringing. Minimize noise coupling by keeping digital traces out of switching power supply areas as well as ensuring that digital lines containing high speed data communications cross at right angles to the SMBData and SMBCLK lines.

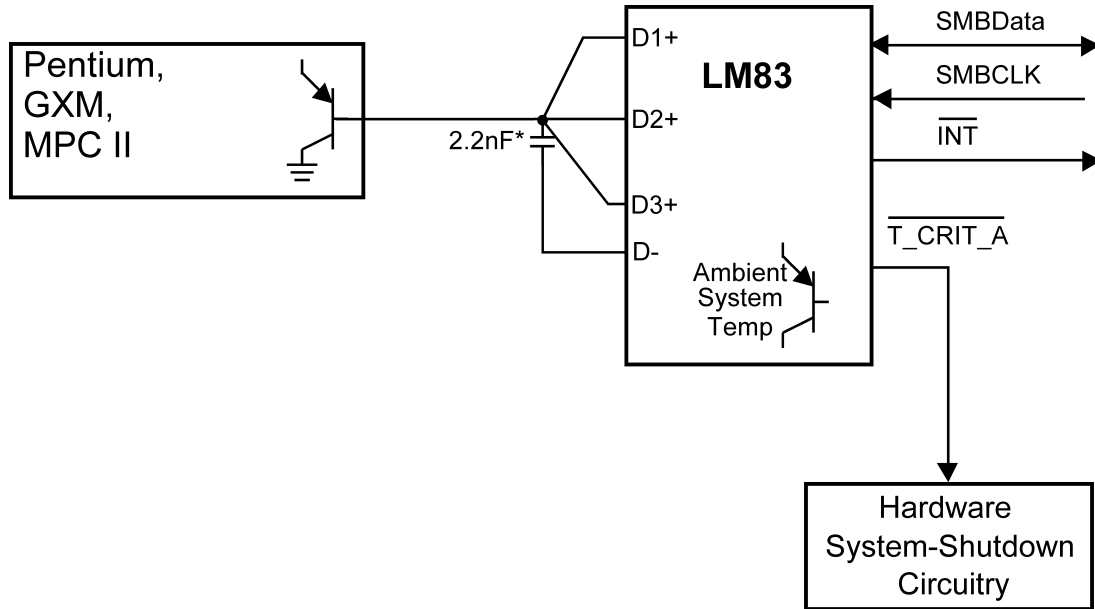
### 4.0 Typical Applications



DS101058-22

FIGURE 11. LM83 Demo Board Diode Layout

## 4.0 Typical Applications (Continued)



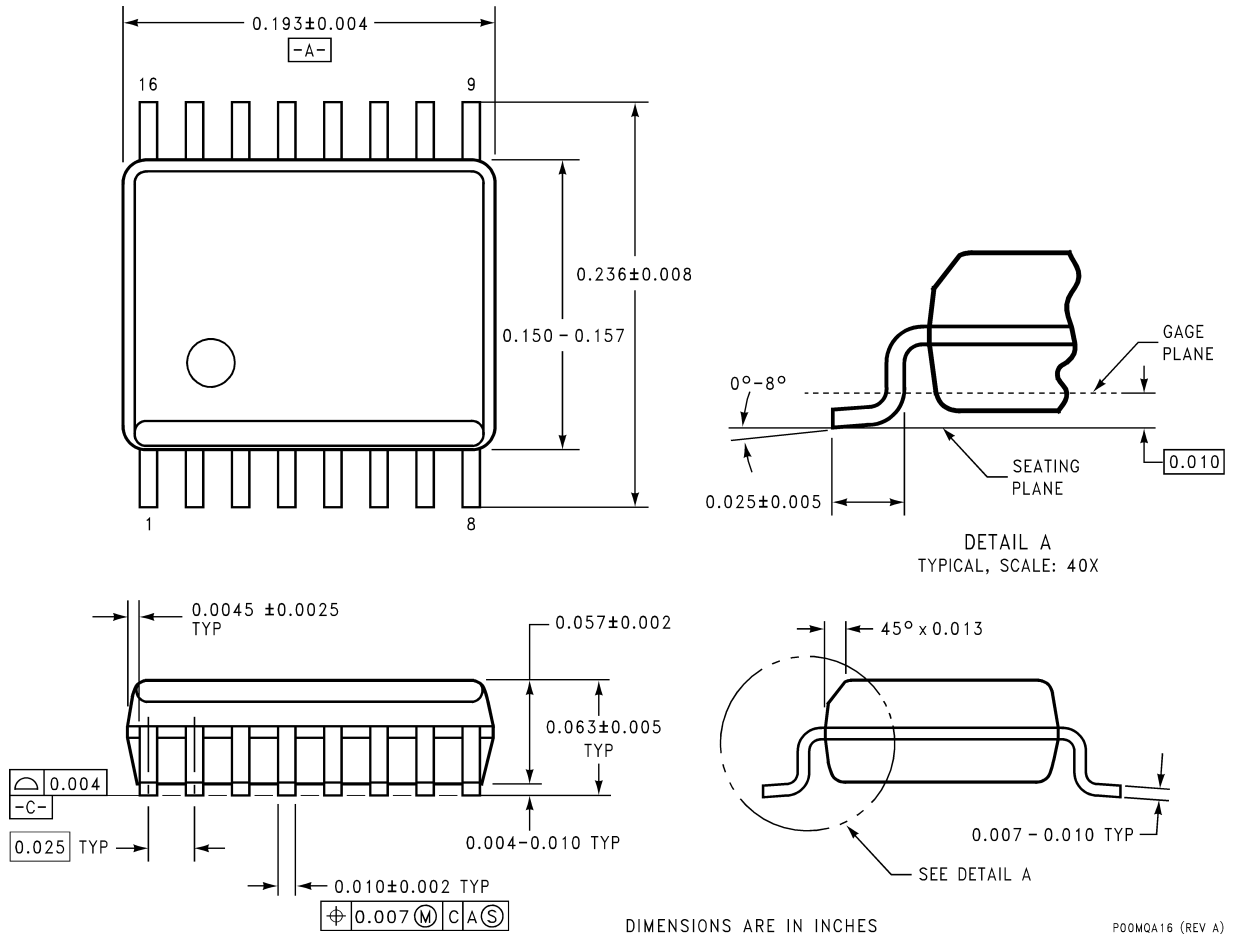
\*Note: 2.2nF Capacitor must be placed as close as possible to D+ and D- pins of the LM83.

DS101058-23

Any two or three D+ inputs can be connected in parallel to increase the number of High temperature setpoints for a particular temperature reading. If all three D+ inputs are tied as shown here, D1+, D2+ and D3+ temperature readings will be identical, unless affected by PCB D+ trace resistance differences.

**FIGURE 12. Connecting all Three LM83 Diode Inputs in Parallel will Increase the Number of HIGH Setpoints for a Single Temperature Reading to Three.**

**Physical Dimensions** inches (millimeters) unless otherwise noted



**16-Lead QSOP Package**  
**Order Number LM83CIMQA or LM83CIMQAX**  
**NS Package Number MQA16**

**LIFE SUPPORT POLICY**

NATIONAL'S PRODUCTS ARE NOT AUTHORIZED FOR USE AS CRITICAL COMPONENTS IN LIFE SUPPORT DEVICES OR SYSTEMS WITHOUT THE EXPRESS WRITTEN APPROVAL OF THE PRESIDENT AND GENERAL COUNSEL OF NATIONAL SEMICONDUCTOR CORPORATION. As used herein:

1. Life support devices or systems are devices or systems which, (a) are intended for surgical implant into the body, or (b) support or sustain life, and whose failure to perform when properly used in accordance with instructions for use provided in the labeling, can be reasonably expected to result in a significant injury to the user.
2. A critical component is any component of a life support device or system whose failure to perform can be reasonably expected to cause the failure of the life support device or system, or to affect its safety or effectiveness.

**National Semiconductor Corporation**  
 Americas  
 Tel: 1-800-272-9959  
 Fax: 1-800-737-7018  
 Email: support@nsc.com  
[www.national.com](http://www.national.com)

**National Semiconductor Europe**  
 Fax: +49 (0) 180-530 85 86  
 Email: europe.support@nsc.com  
 Deutsch Tel: +49 (0) 69 9508 6208  
 English Tel: +44 (0) 870 24 0 2171  
 Français Tel: +33 (0) 1 41 91 8790

**National Semiconductor Asia Pacific Customer Response Group**  
 Tel: 65-2544466  
 Fax: 65-2504466  
 Email: ap.support@nsc.com

**National Semiconductor Japan Ltd.**  
 Tel: 81-3-5639-7560  
 Fax: 81-3-5639-7507

SUNSTAR商斯达实业集团是集研发、生产、工程、销售、代理经销、技术咨询、信息服务等为一体的高科技企业，是专业高科技电子产品生产厂家，是具有10多年历史的专业电子元器件供应商，是中国最早和最大的仓储式连锁规模经营大型综合电子零部件代理分销商之一，是一家专业代理和分销世界各大品牌IC芯片和电子元器件的连锁经营综合性国际公司。在香港、北京、深圳、上海、西安、成都等全国主要电子市场设有直属分公司和产品展示展销窗口门市部专卖店及代理分销商，已在全国范围内建成强大统一的供货和代理分销网络。我们专业代理经销、开发生产电子元器件、集成电路、传感器、微波光电元器件、工控机/DOC/DOM电子盘、专用电路、单片机开发、MCU/DSP/ARM/FPGA软件硬件、二极管、三极管、模块等，是您可靠的一站式现货配套供应商、方案提供商、部件功能模块开发配套商。专业以现代信息产业（计算机、通讯及传感器）三大支柱之一的传感器为主营业务，专业经营各类传感器的代理、销售生产、网络信息、科技图书资料及配套产品设计、工程开发。我们的专业网站——中国传感器科技信息网（全球传感器数据库）[www.SENSOR-IC.COM](http://www.SENSOR-IC.COM) 服务于全球高科技生产商及贸易商，为企业科技产品开发提供技术交流平台。欢迎各厂商互通有无、交换信息、交换链接、发布寻求代理信息。欢迎国外高科技传感器、变送器、执行器、自动控制产品厂商介绍产品到中国，共同开拓市场。本网站是关于各种传感器-变送器-仪器仪表及工业自动化大型专业网站，深入到工业控制、系统工程计 测量、自动化、安防报警、消费电子等众多领域，把最新的传感器-变送器-仪器仪表买卖信息，最新技术供求，最新采购商，行业动态，发展方向，最新的技术应用和市场资讯及时的传递给广大科技开发、科学研究、产品设计人员。本网站已成功为石油、化工、电力、医药、生物、航空、航天、国防、能源、冶金、电子、工业、农业、交通、汽车、矿山、煤炭、纺织、信息、通信、IT、安防、环保、印刷、科研、气象、仪器仪表等领域从事科学研究、产品设计、开发、生产制造的科技人员、管理人员、和采购人员提供满意服务。我们公司专业生产、代理、经销、销售各种传感器、变送器、敏感元器件、开关、执行器、仪器仪表、自动化控制系统：专门从事设计、生产、销售各种传感器、变送器、各种测控仪表、热工仪表、现场控制器、计算机控制系统、数据采集系统、各类环境监控系统、专用控制系统应用软件以及嵌入式系统开发及应用等工作。如热敏电阻、压敏电阻、温度传感器、温度变送器、湿度传感器、湿度变送器、气体传感器、气体变送器、压力传感器、压力变送、称重传感器、物（液）位传感器、物（液）位变送器、流量传感器、流量变送器、电流（压）传感器、溶氧传感器、霍尔传感器、图像传感器、超声波传感器、位移传感器、速度传感器、加速度传感器、扭距传感器、红外传感器、紫外传感器、火焰传感器、激光传感器、振动传感器、轴角传感器、光电传感器、接近传感器、干簧管传感器、继电器传感器、微型电泵、磁敏（阻）传感器、压力开关、接近开关、光电开关、色标传感器、光纤传感器、齿轮测速传感器、时间继电器、计数器、计米器、温控仪、固态继电器、调压模块、电磁铁、电压表、电流表等特殊传感器。同时承接传感器应用电路、产品设计和自动化工程项目。

更多产品请看本公司产品专用销售网站：

商斯达中国传感器科技信息网：<http://www.sensor-ic.com/>

商斯达工控安防网：<http://www.pc-ps.net/>

商斯达电子元器件网：<http://www.sunstare.com/>

商斯达微波光电产品网：[HTTP://www.rfoe.net/](http://www.rfoe.net/)

商斯达消费电子产品网：<http://www.icasic.com/>

商斯达军工产品网：<http://www.junpinic.com/>

商斯达实业科技产品网：<http://www.sunstars.cn/> 传感器销售热线：

地址：深圳市福田区福华路福庆街鸿图大厦1602室

电话：0755-83607652 83376489 83376549 83370250 83370251 82500323

传真：0755-83376182 (0) 13902971329 MSN: [SUNS888@hotmail.com](mailto:SUNS888@hotmail.com)

邮编：518033 E-mail: [szss20@163.com](mailto:szss20@163.com) QQ: 195847376

深圳赛格展销部：深圳华强北路赛格电子市场2583号 电话：0755-83665529 25059422

技术支持：0755-83394033 13501568376

欢迎索取免费详细资料、设计指南和光盘；产品凡多，未能尽录，欢迎来电查询。

北京分公司：北京海淀区知春路132号中发电子大厦3097号

TEL: 010-81159046 82615020 13501189838 FAX: 010-62543996

上海分公司：上海市北京东路668号上海赛格电子市场D125号

TEL: 021-28311762 56703037 13701955389 FAX: 021-56703037

西安分公司：西安高新开发区20所(中国电子科技集团导航技术研究所)

西安劳动南路88号电子商城二楼D23号

TEL: 029-81022619 13072977981 FAX: 029-88789382