



2-Wire Serial Temperature Sensor and Thermal Monitor

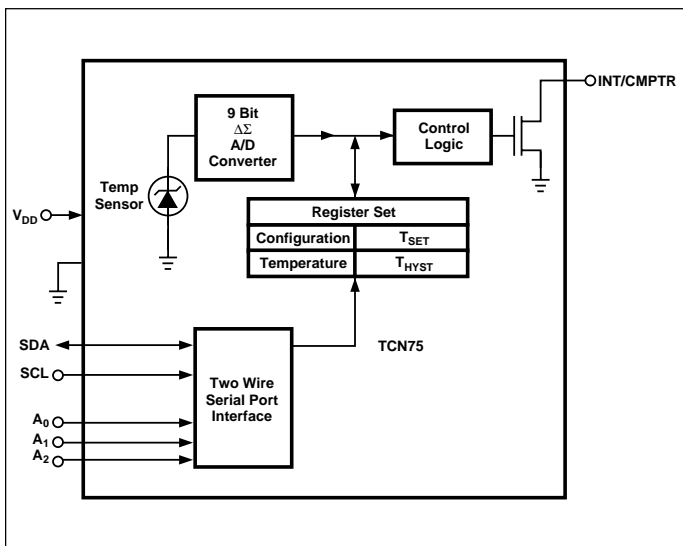
FEATURES

- Solid State Temperature Sensing; 0.5°C Accuracy (Typ.)
- Operates from - 55°C to +125°C
- Operating Range 2.7V - 5.5V
- Programmable Trip Point and Hysteresis with Power-up Defaults
- Standard 2-Wire Serial Interface
- Thermal Event Alarm Output Functions as Interrupt or Comparator / Thermostat Output
- Up to 8 TCN75's May Share the Same Bus
- Shutdown Mode for Low Standby Power Consumption
- 5V Tolerant I/O at V_{DD} = 3V
- Low Power 250µA (Typ.) Operating
1µA (Typ.) Shutdown Mode
- 8-Pin SOIC, and MSOP Packaging

TYPICAL APPLICATIONS

- Thermal Protection for High Performance CPUs
- Solid-State Thermometer
- Fire/Heat Alarms
- Thermal Management in Electronic Systems:
Computers
Telecom Racks
Power Supplies / UPS* / Amplifiers
- Copiers / Office Electronics
- Consumer Electronics
- Process Control

FUNCTIONAL BLOCK DIAGRAM



GENERAL DESCRIPTION

The TCN75 is a serially programmable temperature sensor that notifies the host controller when ambient temperature exceeds a user-programmed setpoint. Hysteresis is also programmable. The INT/CMPTR output is programmable as either a simple comparator for thermostat operation or as a temperature event interrupt. Communication with the TCN75 is accomplished via a two-wire bus that is compatible with industry standard protocols. This permits reading the current temperature, programming the setpoint and hysteresis, and configuring the device.

The TCN75 powers up in Comparator Mode with a default setpoint of 80°C with 5°C hysteresis. Defaults allow independent operation as a stand-alone thermostat. A shut-down command may be sent via the 2-wire bus to activate the low-power standby mode. Address selection inputs allow up to eight TCN75's to share the same 2-wire bus for multi-zone monitoring.

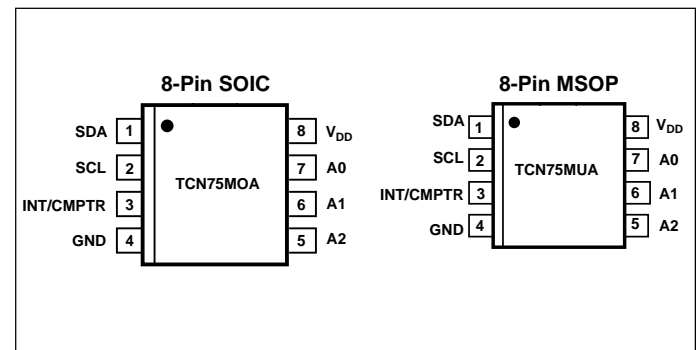
All registers can be read by the host and the INT/ CMPTR output's polarity is user programmable. Both polled and interrupt driven systems are easily accommodated. Small physical size, low installed cost, and ease of use make the TCN75 an ideal choice for implementing sophisticated system management schemes.

ORDERING INFORMATION

Part No.	Supply Voltage (V)	Package	Junction Temp. Range
TCN75-3.3MOA	3.3	8-Pin SOIC	- 55°C to +125°C
TCN75-5.0MOA	5.0	8-Pin SOIC	- 55°C to +125°C
TCN75-3.3MUA	3.3	8-Pin MSOP	- 55°C to +125°C
TCN75-5.0MUA	5.0	8-Pin MSOP	- 55°C to +125°C

TCN75EV Evaluation Kit for TCN75

PIN CONFIGURATIONS



2-Wire Serial Temperature Sensor and Thermal Monitor

TCN75

ABSOLUTE MAXIMUM RATINGS*

Supply Voltage (V_{DD})	6.0V
ESD Susceptibility (Note 3)	1000V
Voltage on Pins:	
A0, A1, A2	(GND – 0.3V) to ($V_{DD} + 0.3V$)
Voltage on Pins:	
SDA, SCL, INT/CMPTR	(GND – 0.3V) to 5.5V

Operating Temperature Range (T_J) – 55°C to +125°C
Storage Temperature Range (T_{STG}) – 65°C to +150°C
Lead Temperature (Soldering, 10 sec) +300°C
Thermal Resistance (Junction to Ambient)	
8-Pin SOIC 170°C/W
8-Pin MSOP 250°C/W

*This is a stress rating only and functional operation of this device at these or any other conditions above those indicated in the operations sections of this specification is not implied.

ELECTRICAL CHARACTERISTICS: $V_{DD} = 2.7V - 5.5V$, $-55^\circ C \leq (T_A = T_J) \leq 125^\circ C$, unless otherwise noted.

Symbol	Parameter	Test Conditions	Min	Typ	Max	Unit
Power Supply						
V_{DD}	Power Supply Voltage		2.7	—	5.5	V
I_{DD}	Operating Current	Serial Port Inactive ($T_A = T_J = 25^\circ C$)	—	0.250	—	mA
		Serial Port Active	—	—	1.0	mA
I_{DD1}	Standby Supply Current	Shutdown Mode, Serial Port Inactive ($T_A = T_J = 25^\circ C$)	—	1	—	μA
INT/CMPTR Output						
I_{OL}	Sink Current: INT/CMPTR, SDA Outputs	Note 1	—	1	4	mA
t_{TRIP}	INT/CMPTR Response Time	User Programmable	1	—	6	t_{CONV}
V_{OL}	Output Low Voltage	$I_{OL} = 4.0mA$	—	—	0.8	V
Temp-to-Bits Converter						
ΔT	Temperature Accuracy (Note 2)	$-55^\circ C \leq T_A \leq +125^\circ C$ $V_{DD} = 3.3V$: TCN75-3.3MOA, TCN75-3.3MPA, TCN75-3.3MUA $V_{DD} = 5.0V$: TCN75-5.0MOA, TCN75-5.0MPA, TCN75-5.0 MUA $25^\circ C \leq T_A \leq 100^\circ C$	—	± 3	—	$^\circ C$
			—	± 0.5	± 3	$^\circ C$
t_{CONV}	Conversion Time		—	55	—	msec
$T_{SET(PU)}$	TEMP Default Value	Power Up	—	80	—	$^\circ C$
$T_{HYST(PU)}$	T_{HYST} Default Value	Power Up	—	75	—	$^\circ C$
2-Wire Serial Bus Interface						
V_{IH}	Logic Input High		$V_{DD} \times 0.7$	—	—	V
V_{IL}	Logic Input Low		—	—	$V_{DD} \times 0.3$	V
V_{OL}	Logic Output Low	$I_{OL} = 3mA$	—	—	0.4	V
C_{IN}	Input Capacitance SDA, SCL		—	15	—	pF
I_{LEAK}	I/O Leakage	($T_A = T_J = 25^\circ C$)	—	± 100	—	μA
$I_{OL(SDA)}$	SDA Output Low Current		—	—	6	mA

SERIAL PORT TIMING: $2.7V \leq V_{DD} \leq 5.5V$; $-55^\circ C \leq (T_A = T_J) \leq 125^\circ C$, $C_L = 80pf$, unless otherwise noted.

Symbol	Parameter	Test Conditions	Min	Typ	Max	Unit
f_{SC}	Serial Port Frequency		0	100	400	kHz
t_{LOW}	Low Clock Period		1250	—	—	nsec
t_{HIGH}	High Clock Period		1250	—	—	nsec
t_R	SCL and SDA Rise Time		—	—	250	nsec
t_F	SCL and SDA Fall Time		—	—	250	nsec
$t_{SU(START)}$	Start Condition Setup Time (for repeated Start Condition)		1250	—	—	nsec

2-Wire Serial Temperature Sensor and Thermal Monitor

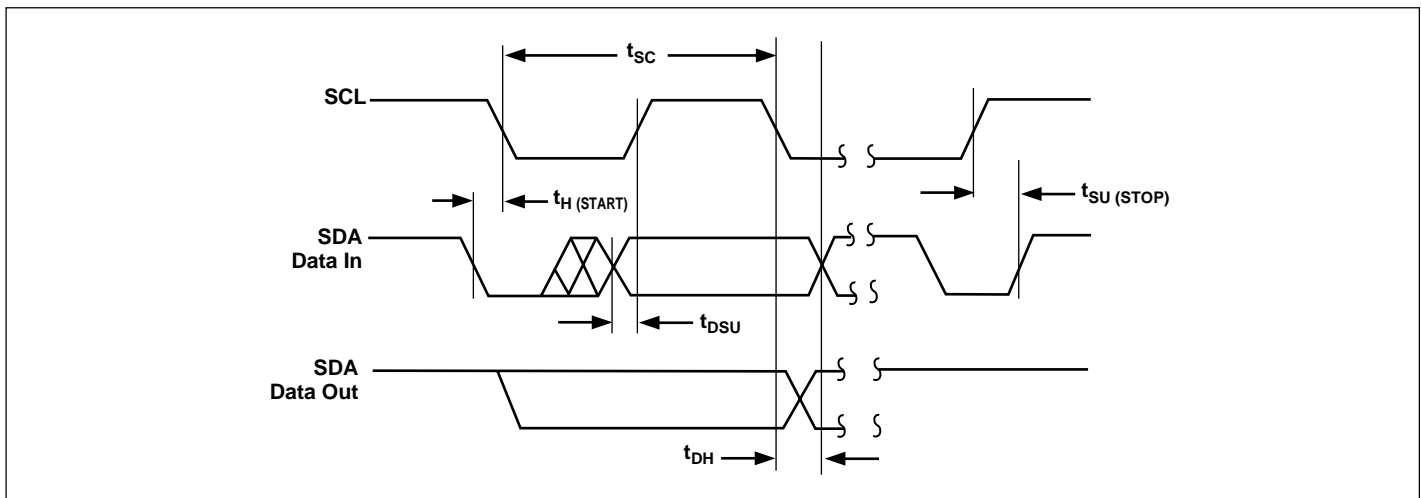
TCN75

SERIAL PORT TIMING (Cont.): $2.7V \leq V_{DD} \leq 5.5V$; $-55^{\circ}C \leq (T_A = T_J) \leq 125^{\circ}C$, $C_L = 80pf$, unless otherwise noted.

Symbol	Parameter	Test Conditions	Min	Typ	Max	Unit
t_{SC}	SCL Clock Period		2.5	—	—	μsec
$t_{H(\text{START})}$	Start Condition Hold Time		100	—	—	nsec
t_{DSU}	Data in Setup Time to SCL High		100	—	—	nsec
t_{DH}	Data in Hold Time after SCL Low		0	—	—	nsec
$t_{SU(\text{STOP})}$	Stop Condition Setup Time		100	—	—	nsec
t_{IDLE}	Bus Free Time Prior to New Transition		1250	—	—	nsec

- NOTES:**
- Output current should be minimized for best temperature accuracy. Power dissipation within the TCN75 will cause self-heating and temperature drift. At maximum rated output current and saturation voltage, 4mA and 0.8V, respectively, the error amounts to 0.352°C for the PDIP, and 0.544°C for the SOIC.
 - All part types of the TCN75 will operate properly over the wider power supply range of 2.7V to 5.5V. Each part type is tested and specified for rated accuracy at its nominal supply voltage. As V_{DD} varies from the nominal value, accuracy will degrade 1°C/V of V_{DD} change.
 - Human body model, 100pF discharged through a 1.5k resistor.

TIMING DIAGRAM



PIN DESCRIPTION

Pin Number	Symbol	Description
1	SDA	Bidirectional Serial Data.
2	SCL	Serial Data Clock Input.
3	INT/CMPTR	Interrupt or Comparator Output.
4	GND	System Ground.
5	A_2	Address Select Pin (MSB).
6	A_1	Address Select Pin.
7	A_0	Address Select Pin (LSB).
8	V_{DD}	Power Supply Input.

2-Wire Serial Temperature Sensor and Thermal Monitor

TCN75

DETAILED DESCRIPTION

A typical TCN75 hardware connection is shown in Figure 1.

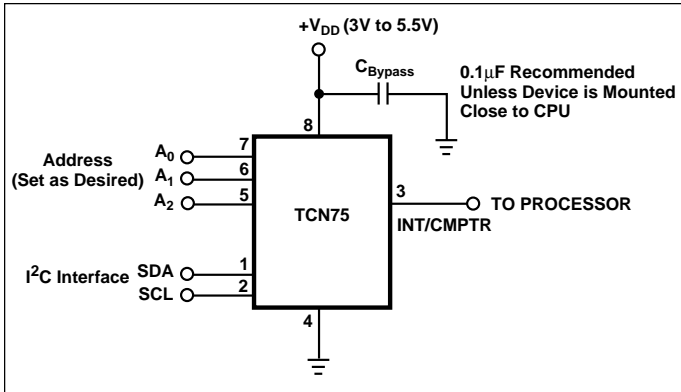


Figure 1. Typical Application

Serial Data (SDA)

Bidirectional. Serial data is transferred in both directions using this pin.

Serial Clock (SCL)

Input. Clocks data into and out of the TCN75.

INT/CMPTR

Open Collector, Programmable Polarity. In Comparator Mode, unconditionally driven active any time temperature exceeds the value programmed into the T_{SET} register. INT/CMPTR will become inactive when temperature subsequently falls below the T_{HYST} setting. (See *Register Set and Programmer's Model*.) In Interrupt Mode, INT/CMPTR is also made active by TEMP exceeding T_{SET} ; it is unconditionally reset to its inactive state by reading any register via the 2-wire bus. If and when temperature falls below T_{HYST} , INT/CMPTR is again driven active. Reading any register will clear the T_{HYST} interrupt. In Interrupt Mode, the INT/CMPTR output is unconditionally reset upon entering Shutdown Mode. If programmed as an active-low output, it can be wire-ORed with any number of other open collector devices. Most systems will require a pull-up resistor for this configuration.

Note that current sourced from the pull-up resistor causes power dissipation and may cause internal heating of the TCN75. To avoid affecting the accuracy of ambient temperature readings, the pull-up resistor should be made as large as possible. INT/CMPTR's output polarity may be programmed by writing to the INT/CMPTR POLARITY bit in the CONFIG register. The default is active low.

Address (A2, A1, A0)

Inputs. Sets the three least significant bits of the TCN75 8-bit address. A match between the TCN75's address and the address specified in the serial bit stream must be made

to initiate communication with the TCN75. Many protocol-compatible devices with other addresses may share the same 2-wire bus.

Slave Address

The four most significant bits of the Address Byte (A6, A5, A4, A3) are fixed to 1001[B]. The states of A2, A1 and A0 in the serial bit stream must match the states of the A2, A1 and A0 address inputs for the TCN75 to respond with an Acknowledge (indicating the TCN75 is on the bus and ready to accept data). The Slave Address is represented by:

TCN75 Slave Address

1	0	0	1	A2	A1	A0
MSB						LSB

Comparator/Interrupt Modes

INT/CMPTR behaves differently depending on whether the TCN75 is in Comparator Mode or Interrupt Mode. Comparator Mode is designed for simple thermostatic operation. INT/CMPTR will go active anytime TEMP exceeds T_{SET} . When in Comparator Mode, INT/CMPTR will remain active until TEMP falls below T_{HYST} , whereupon it will reset to its inactive state. The state of INT/CMPTR is maintained in shutdown mode when the TCN75 is in comparator mode. In Interrupt Mode, INT/CMPTR will remain active indefinitely, even if TEMP falls below T_{HYST} , until any register is read via the 2-wire bus. Interrupt Mode is better suited to interrupt driven microprocessor-based systems. The INT/CMPTR output may be wire-OR'ed with other interrupt sources in such systems. Note that a pull-up resistor is necessary on this pin since it is an open-drain output. Entering Shutdown Mode will unconditionally reset INT/CMPTR when in Interrupt Mode.

SHUTDOWN MODE

When the appropriate bit is set in the configuration register (CONFIG) the TCN75 enters its low-power shutdown mode ($I_{DD} = 1\mu A$, typical) and the temperature-to-digital conversion process is halted. The TCN75's bus interface remains active and TEMP, T_{SET} , and T_{HYST} may be read from and written to. Transitions on SDA or SCL due to external bus activity may increase the standby power consumption. If the TCN75 is in Interrupt Mode, the state of INT/CMPTR will be RESET upon entering shutdown mode.

Fault Queue

To lessen the probability of spurious activation of INT/CMPTR the TCN75 may be programmed to filter out transient events. This is done by programming the desired value

2-Wire Serial Temperature Sensor and Thermal Monitor

TCN75

into the Fault Queue. Logic inside the TCN75 will prevent the device from triggering INT/CMPTR unless the programmed number of sequential temperature-to-digital conversions yield the same qualitative result. In other words, the value reported in TEMP must remain above T_{SET} or below T_{HYST} for the consecutive number of cycles programmed in the Fault Queue. Up to a six-cycle "filter" may be selected. See *Register Set and Programmer's Model*.

Serial Port Operation

The Serial Clock input (SCL) and bidirectional data port (SDA) form a 2-wire bidirectional serial port for programming and interrogating the TCN75. The following conventions are used in this bus scheme:

TCN75 Serial Bus Conventions

Term	Explanation
Transmitter	The device sending data to the bus.
Receiver	The device receiving data from the bus.
Master	The device which controls the bus: initiating transfers (START), generating the clock, and terminating transfers (STOP).
Slave	The device addressed by the master.
Start	A unique condition signaling the beginning of a transfer indicated by SDA falling (High-Low) while SCL is high.
Stop	A unique condition signaling the end of a transfer indicated by SDA rising (Low - High) while SCL is high.
ACK	A Receiver acknowledges the receipt of each byte with this unique condition. The Receiver drives SDA low during SCL high of the ACK clock-pulse. The Master provides the clock pulse for the ACK cycle.
NOT Busy	When the bus is idle, both SDA & SCL will remain high.
Data Valid	The state of SDA must remain stable during the High period of SCL in order for a data bit to be considered valid. SDA only changes state while SCL is low during normal data transfers. (See Start and Stop conditions)

All transfers take place under control of a host, usually a CPU or microcontroller, acting as the Master, which provides the clock signal for all transfers. The TCN75 *always* operates as a Slave. This serial protocol is illustrated in Figure 2. All data transfers have two phases; and all bytes are transferred MSB first. Accesses are initiated by a start condition (START), followed by a device address byte and one or more data bytes. The device address byte includes a Read/Write selection bit. Each access must be terminated by a Stop Condition (STOP). A convention called *Acknowledge* (ACK) confirms receipt of each byte. Note that SDA I

can change only during periods when SCL is LOW (SDA changes while SCL is HIGH are reserved for Start and Stop Conditions).

Start Condition (START)

The TCN75 continuously monitors the SDA and SCL lines for a start condition (a HIGH to LOW transition of SDA while SCL is HIGH), and will not respond until this condition is met.

Address Byte

Immediately following the Start Condition, the host must next transmit the address byte to the TCN75. The four most significant bits of the Address Byte (A6, A5, A4, A3) are fixed to 1001(B). The states of A2, A1 and A0 in the serial bit stream must match the states of the A2, A1 and A0 address inputs for the TCN75 to respond with an Acknowledge (indicating the TCN75 is on the bus and ready to accept data). The eighth bit in the Address Byte is a Read-Write Bit. This bit is a 1 for a read operation or 0 for a write operation.

Acknowledge (ACK)

Acknowledge (ACK) provides a positive handshake between the host and the TCN75. The host releases SDA after transmitting eight bits then generates a ninth clock cycle to allow the TCN75 to pull the SDA line LOW to acknowledge that it successfully received the previous eight bits of data or address.

Data Byte

After a successful ACK of the address byte, the host must next transmit the data byte to be written or clock out the data to be read. (See the appropriate timing diagrams.) ACK will be generated after a successful write of a data byte into the TCN75.

Stop Condition (STOP)

Communications must be terminated by a stop condition (a LOW to HIGH transition of SDA while SCL is HIGH). The Stop Condition must be communicated by the transmitter to the TCN75.

Power Supply

To minimize temperature measurement error, the TCN75VO₋₃ is factory calibrated at a supply voltage of 3.3V \pm 5% and the TCN75CO₋₅ is factory calibrated at a supply voltage of 5V \pm 5%. Either device is fully operational over the power supply voltage range of 2.7V to 5.5V, but with a lower measurement accuracy. The typical value of this power supply-related error is \pm 2°C.

2-Wire Serial Temperature Sensor and Thermal Monitor

TCN75

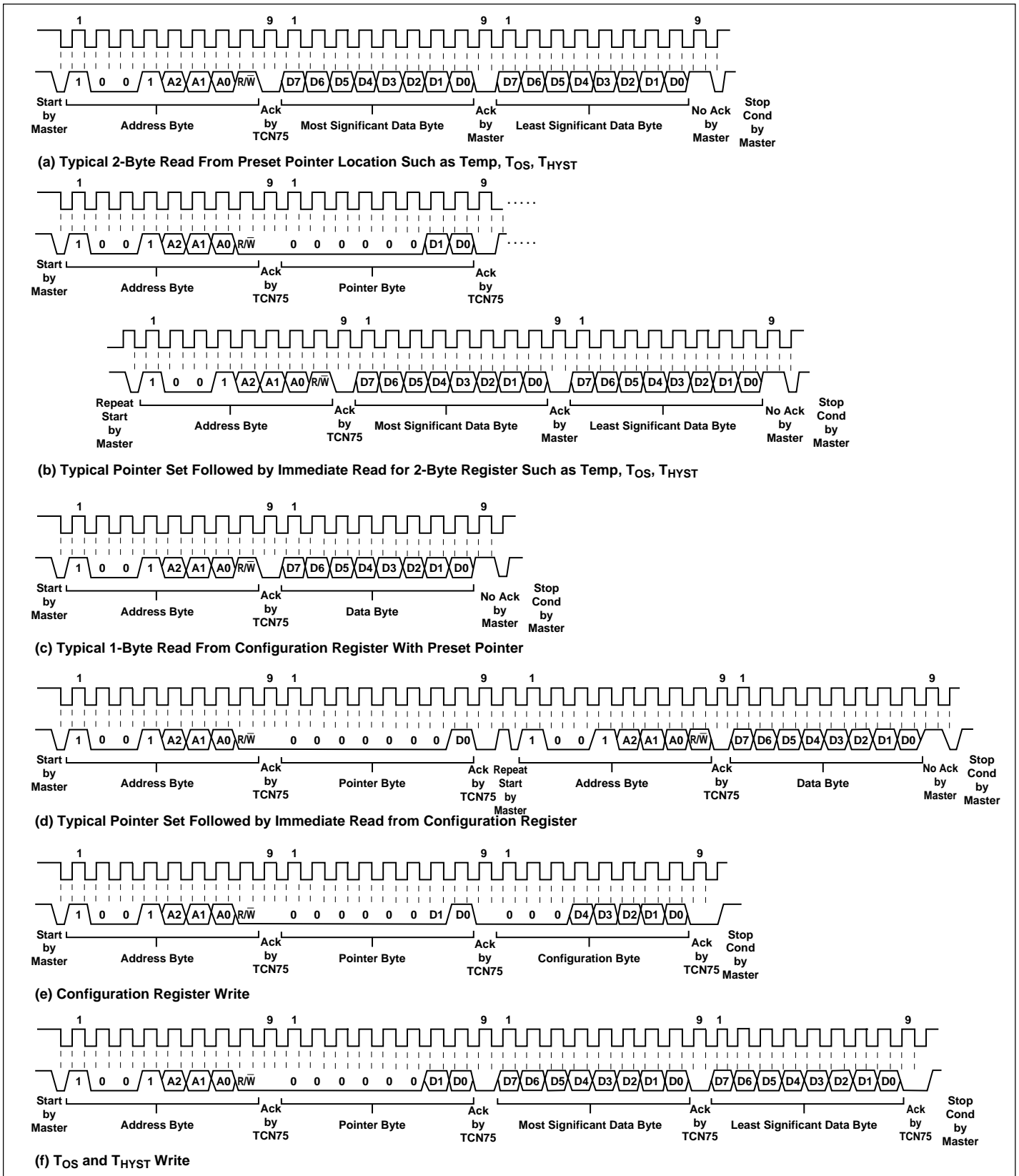


Figure 2. Timing Diagrams

2-Wire Serial Temperature Sensor and Thermal Monitor

TCN75

REGISTER SET AND PROGRAMMER'S MODEL

Register (POINT), 8-bits, Write-only

Pointer Register (POINT)

D[7]	D[6]	D[5]	D[4]	D[3]	D[2]	D[1]	D[0]
Must Be Set To Zero						Pointer	

Register Selection via the Pointer Register:

D1	D0	Register Selection
0	0	TEMP
0	1	CONFIG
1	0	T _{HYST}
1	1	T _{SET}

Configuration Register (CONFIG), 8-bits, Read/Write

Configuration Register (CONFIG)

D[7]	D[6]	D[5]	D[4]	D[3]	D[2]	D[1]	D[0]
Must Be Set To Zero			Fault Queue	INT/CMPTR. POLARITY	COMP/INT.	Shut-Down	

D0: Shutdown: 0 = Normal Operation
1 = Shutdown Mode

D1: CMPTR/INT: 0 = Comparator Mode
1 = Interrupt Mode

D2: INT/CMPTR POLARITY: 0 = Active Low
1 = Active High

D3 - D4: Fault Queue: Number of sequential temperature-to-digital conversions with the same result before the INT/CMPTR output is updated:

D4	D3	Number of Conversions
0	0	1 (Power-up-default)
0	1	2
1	0	4
1	1	6

2-Wire Serial Temperature Sensor and Thermal Monitor

TCN75

Temperature (TEMP) Register, 16-bits, Read-only

The binary value in this register represents ambient temperature following a conversion cycle.

Temperature Register (TEMP)

D[15]	D[14]	D[13]	D[12]	D[11]	D[10]	D[9]	D[8]	D[7]	D[6]	D[5]	D[4]	D[3]	D[2]	D[1]	D[0]
MSB	D7	D6	D5	D4	D3	D2	D1	LSB	X	X	X	X	X	X	X

Temperature Setpoint (T_{SET}) and Hysteresis (T_{HYST}) Register, 16-bits, Read-Write:

Temperature Setpoint Register (T_{SET})

D[15]	D[14]	D[13]	D[12]	D[11]	D[10]	D[9]	D[8]	D[7]	D[6]	D[5]	D[4]	D[3]	D[2]	D[1]	D[0]
MSB	D7	D6	D5	D4	D3	D2	D1	LSB	X	X	X	X	X	X	X

Hysteresis Register (T_{HYST})

D[15]	D[14]	D[13]	D[12]	D[11]	D[10]	D[9]	D[8]	D[7]	D[6]	D[5]	D[4]	D[3]	D[2]	D[1]	D[0]
MSB	D7	D6	D5	D4	D3	D2	D1	LSB	X	X	X	X	X	X	X

In the TEMP, T_{SET}, and T_{HYST} registers, each unit value represents one-half degree (Celsius). The value is in 2's - complement binary format such that a reading of 00000000b corresponds to 0°C. Examples of this temperature to binary value relationship are shown in the following table.

Temperature to Digital Value Conversion

Temperature	Binary Value	HEX Value
+125°C	0 11111010	0FA
+25°C	0 00110010	032
+0.5°C	0 00000001	001
0°C	0 00000000	00
- 0.5°C	1 11111111	1FF
- 25°C	1 11001110	1CE
- 40°C	1 10110000	1B0
- 55°C	1 10010010	192

The TCN75's register set is summarized below

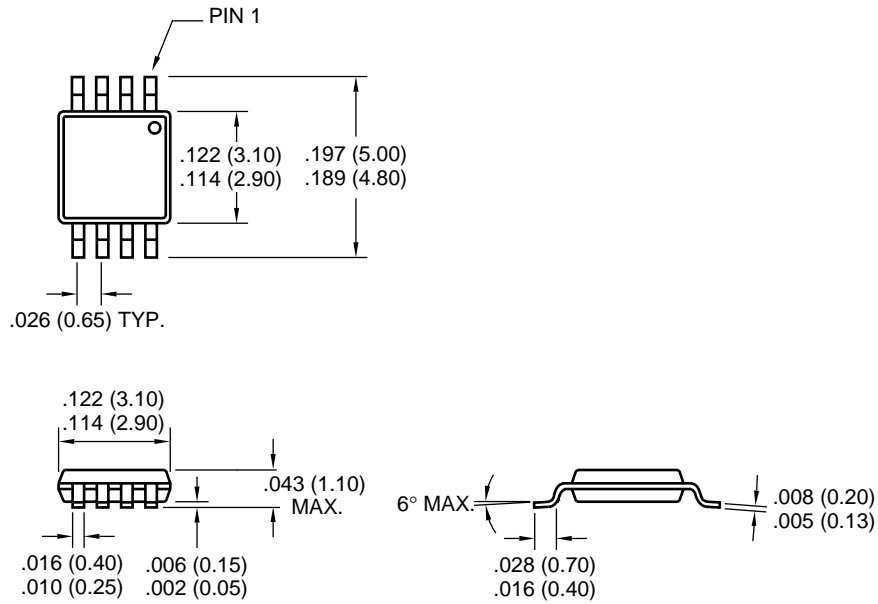
Name	Description	Width	Read	Write	Notes
TEMP	Ambient Temperature	16	X		2's Complement Format
T _{SET}	Temperature Setpoint	16	X	X	2's Complement Format
T _{HYST}	Temperature Hysteresis	16	X	X	2's Complement Format
POINT	Register Pointer	8	X	X	
CONFIG	Configuration Register	8	X	X	

2-Wire Serial Temperature Sensor and Thermal Monitor

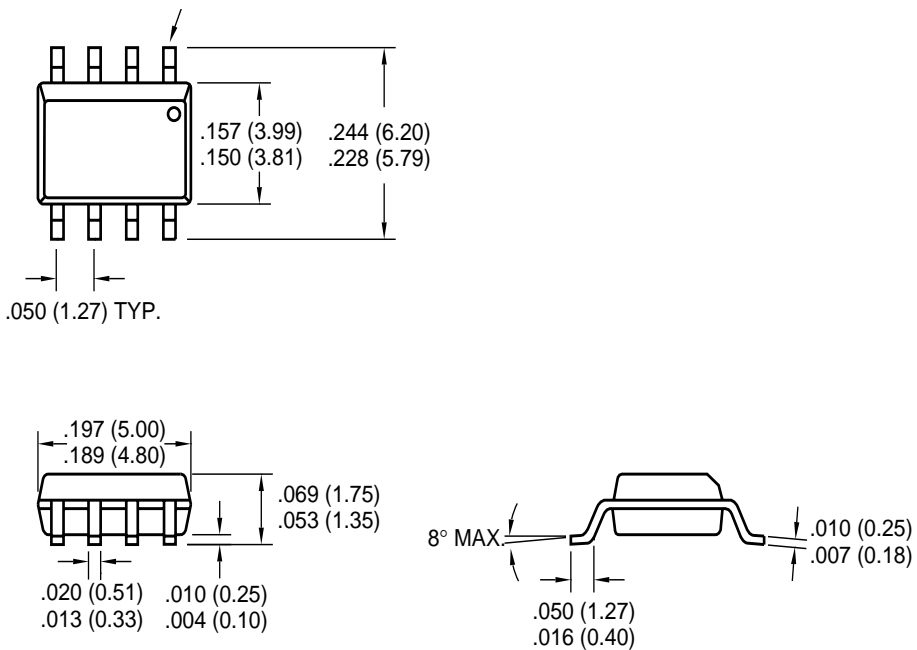
TCN75

PACKAGE DIMENSIONS

8-Pin MSOP



8-Pin SOIC



Dimensions: inches (mm)



WORLDWIDE SALES AND SERVICE

AMERICAS

Corporate Office

2355 West Chandler Blvd.
Chandler, AZ 85224-6199
Tel: 480-792-7200 Fax: 480-792-7277
Technical Support: 480-792-7627
Web Address: <http://www.microchip.com>

Rocky Mountain

2355 West Chandler Blvd.
Chandler, AZ 85224-6199
Tel: 480-792-7966 Fax: 480-792-7456

Atlanta

500 Sugar Mill Road, Suite 200B
Atlanta, GA 30350
Tel: 770-640-0034 Fax: 770-640-0307

Austin

Analog Product Sales
8303 MoPac Expressway North
Suite A-201
Austin, TX 78759
Tel: 512-345-2030 Fax: 512-345-6085

Boston

2 Lan Drive, Suite 120
Westford, MA 01886
Tel: 978-692-3848 Fax: 978-692-3821

Boston

Analog Product Sales
Unit A-8-1 Millbrook Tarry Condominium
97 Lowell Road
Concord, MA 01742
Tel: 978-371-6400 Fax: 978-371-0050

Chicago

333 Pierce Road, Suite 180
Itasca, IL 60143
Tel: 630-285-0071 Fax: 630-285-0075

Dallas

4570 Westgrove Drive, Suite 160
Addison, TX 75001
Tel: 972-818-7423 Fax: 972-818-2924

Dayton

Two Prestige Place, Suite 130
Miamisburg, OH 45342
Tel: 937-291-1654 Fax: 937-291-9175

Detroit

Tri-Atria Office Building
32255 Northwestern Highway, Suite 190
Farmington Hills, MI 48334
Tel: 248-538-2250 Fax: 248-538-2260

Los Angeles

18201 Von Karman, Suite 1090
Irvine, CA 92612
Tel: 949-263-1888 Fax: 949-263-1338

Mountain View

Analog Product Sales
1300 Terra Bella Avenue
Mountain View, CA 94043-1836
Tel: 650-968-9241 Fax: 650-967-1590

New York

150 Motor Parkway, Suite 202
Hauppauge, NY 11788
Tel: 631-273-5305 Fax: 631-273-5335

San Jose

Microchip Technology Inc.
2107 North First Street, Suite 590
San Jose, CA 95131
Tel: 408-436-7950 Fax: 408-436-7955

Toronto

6285 Northam Drive, Suite 108
Mississauga, Ontario L4V 1X5, Canada
Tel: 905-673-0699 Fax: 905-673-6509

ASIA/PACIFIC

China - Beijing

Microchip Technology Beijing Office
Unit 915
New China Hong Kong Manhattan Bldg.
No. 6 Chaoyangmen Beidajie
Beijing, 100027, No. China
Tel: 86-10-85282100 Fax: 86-10-85282104

China - Shanghai

Microchip Technology Shanghai Office
Room 701, Bldg. B
Far East International Plaza
No. 317 Xian Xia Road
Shanghai, 200051
Tel: 86-21-6275-5700 Fax: 86-21-6275-5060

Hong Kong

Microchip Asia Pacific
RM 2101, Tower 2, Metroplaza
223 Hing Fong Road
Kwai Fong, N.T., Hong Kong
Tel: 852-2401-1200 Fax: 852-2401-3431

India

Microchip Technology Inc.
India Liaison Office
Divyasree Chambers
1 Floor, Wing A (A3/A4)
No. 11, OIShaugnessey Road
Bangalore, 560 025, India
Tel: 91-80-2290061 Fax: 91-80-2290062

Japan

Microchip Technology Intl. Inc.
Benex S-1 6F
3-18-20, Shinyokohama
Kohoku-Ku, Yokohama-shi
Kanagawa, 222-0033, Japan
Tel: 81-45-471-6166 Fax: 81-45-471-6122

Korea

Microchip Technology Korea
168-1, Youngbo Bldg. 3 Floor
Samsung-Dong, Kangnam-Ku
Seoul, Korea
Tel: 82-2-554-7200 Fax: 82-2-558-5934

ASIA/PACIFIC (continued)

Singapore

Microchip Technology Singapore Pte Ltd.
200 Middle Road
#07-02 Prime Centre
Singapore, 188980
Tel: 65-334-8870 Fax: 65-334-8850

Taiwan

Microchip Technology Taiwan
11F-3, No. 207
Tung Hua North Road
Taipei, 105, Taiwan
Tel: 886-2-2717-7175 Fax: 886-2-2545-0139

EUROPE

Australia

Microchip Technology Australia Pty Ltd
Suite 22, 41 Rawson Street
Epping 2121, NSW
Australia
Tel: 61-2-9868-6733 Fax: 61-2-9868-6755

Denmark

Microchip Technology Denmark ApS
Regus Business Centre
Lautrup hoj 1-3
Ballerup DK-2750 Denmark
Tel: 45 4420 9895 Fax: 45 4420 9910

France

Arizona Microchip Technology SARL
Parc d'Activite du Moulin de Massy
43 Rue du Saule Trapu
Batiment A - 1er Etage
91300 Massy, France
Tel: 33-1-69-53-63-20 Fax: 33-1-69-30-90-79

Germany

Arizona Microchip Technology GmbH
Gustav-Heinemann Ring 125
D-81739 Munich, Germany
Tel: 49-89-627-144 0 Fax: 49-89-627-144-44

Germany

Analog Product Sales
Lochhamer Strasse 13
D-82152 Martinsried, Germany
Tel: 49-89-895650-0 Fax: 49-89-895650-22

Italy

Arizona Microchip Technology SRL
Centro Direzionale Colleoni
Palazzo Taurus 1 V. Le Colleoni 1
20041 Agrate Brianza
Milan, Italy
Tel: 39-039-65791-1 Fax: 39-039-6899883

United Kingdom

Arizona Microchip Technology Ltd.
505 Eskdale Road
Winkersham Triangle
Wokingham
Berkshire, England RG41 5TU
Tel: 44 118 921 5869 Fax: 44-118 921-5820

All rights reserved. © 2001 Microchip Technology Incorporated. Printed in the USA. 1/01  Printed on recycled paper.

01/09/01

Information contained in this publication regarding device applications and the like is intended through suggestion only and may be superseded by updates. It is your responsibility to ensure that your application meets with your specifications. No representation or warranty is given and no liability is assumed by Microchip Technology Incorporated with respect to the accuracy or use of such information, or infringement of patents or other intellectual property rights arising from such use or otherwise. Use of Microchip's products as critical components in life support systems is not authorized except with express written approval by Microchip. No licenses are conveyed, implicitly or otherwise, except as maybe explicitly expressed herein, under any intellectual property rights. The Microchip logo and name are registered trademarks of Microchip Technology Inc. in the U.S.A. and other countries. All rights reserved. All other trademarks mentioned herein are the property of their respective companies.

SUNSTAR商斯达实业集团是集研发、生产、工程、销售、代理经销、技术咨询、信息服务等为一体的高科技企业，是专业高科技电子产品生产厂家，是具有10多年历史的专业电子元器件供应商，是中国最早和最大的仓储式连锁规模经营大型综合电子零部件代理分销商之一，是一家专业代理和分销世界各大品牌IC芯片和电子元器件的连锁经营综合性国际公司。在香港、北京、深圳、上海、西安、成都等全国主要电子市场设有直属分公司和产品展示展销窗口门市部专卖店及代理分销商，已在全国范围内建成强大统一的供货和代理分销网络。我们专业代理经销、开发生产电子元器件、集成电路、传感器、微波光电元器件、工控机/DOC/DOM电子盘、专用电路、单片机开发、MCU/DSP/ARM/FPGA软件硬件、二极管、三极管、模块等，是您可靠的一站式现货配套供应商、方案提供商、部件功能模块开发配套商。专业以现代信息产业（计算机、通讯及传感器）三大支柱之一的传感器为主营业务，专业经营各类传感器的代理、销售生产、网络信息、科技图书资料及配套产品设计、工程开发。我们的专业网站——中国传感器科技信息网（全球传感器数据库）www.SENSOR-IC.COM 服务于全球高科技生产商及贸易商，为企业科技产品开发提供技术交流平台。欢迎各厂商互通有无、交换信息、交换链接、发布寻求代理信息。欢迎国外高科技传感器、变送器、执行器、自动控制产品厂商介绍产品到中国，共同开拓市场。本网站是关于各种传感器-变送器-仪器仪表及工业自动化大型专业网站，深入到工业控制、系统工程计 测量、自动化、安防报警、消费电子等众多领域，把最新的传感器-变送器-仪器仪表买卖信息，最新技术供求，最新采购商，行业动态，发展方向，最新的技术应用和市场资讯及时的传递给广大科技开发、科学研究、产品设计人员。本网站已成功为石油、化工、电力、医药、生物、航空、航天、国防、能源、冶金、电子、工业、农业、交通、汽车、矿山、煤炭、纺织、信息、通信、IT、安防、环保、印刷、科研、气象、仪器仪表等领域从事科学研究、产品设计、开发、生产制造的科技人员、管理人员、和采购人员提供满意服务。我们公司专业生产、代理、经销、销售各种传感器、变送器、敏感元器件、开关、执行器、仪器仪表、自动化控制系统：专门从事设计、生产、销售各种传感器、变送器、各种测控仪表、热工仪表、现场控制器、计算机控制系统、数据采集系统、各类环境监控系统、专用控制系统应用软件以及嵌入式系统开发及应用等工作。如热敏电阻、压敏电阻、温度传感器、温度变送器、湿度传感器、湿度变送器、气体传感器、气体变送器、压力传感器、压力变送、称重传感器、物（液）位传感器、物（液）位变送器、流量传感器、流量变送器、电流（压）传感器、溶氧传感器、霍尔传感器、图像传感器、超声波传感器、位移传感器、速度传感器、加速度传感器、扭距传感器、红外传感器、紫外传感器、火焰传感器、激光传感器、振动传感器、轴角传感器、光电传感器、接近传感器、干簧管传感器、继电器传感器、微型电泵、磁敏（阻）传感器、压力开关、接近开关、光电开关、色标传感器、光纤传感器、齿轮测速传感器、时间继电器、计数器、计米器、温控仪、固态继电器、调压模块、电磁铁、电压表、电流表等特殊传感器。同时承接传感器应用电路、产品设计和自动化工程项目。

更多产品请看本公司产品专用销售网站：

商斯达中国传感器科技信息网：<http://www.sensor-ic.com/>

商斯达工控安防网：<http://www.pc-ps.net/>

商斯达电子元器件网：<http://www.sunstare.com/>

商斯达微波光电产品网：[HTTP://www.rfoe.net/](http://www.rfoe.net/)

商斯达消费电子产品网：<http://www.icasic.com/>

商斯达军工产品网：<http://www.junpinic.com/>

商斯达实业科技产品网：<http://www.sunstars.cn/> 传感器销售热线：

地址：深圳市福田区福华路福庆街鸿图大厦1602室

电话：0755-83607652 83376489 83376549 83370250 83370251 82500323

传真：0755-83376182 (0) 13902971329 MSN: SUNS888@hotmail.com

邮编：518033 E-mail: szss20@163.com QQ: 195847376

深圳赛格展销部：深圳华强北路赛格电子市场2583号 电话：0755-83665529 25059422

技术支持：0755-83394033 13501568376

欢迎索取免费详细资料、设计指南和光盘；产品凡多，未能尽录，欢迎来电查询。

北京分公司：北京海淀区知春路132号中发电子大厦3097号

TEL: 010-81159046 82615020 13501189838 FAX: 010-62543996

上海分公司：上海市北京东路668号上海赛格电子市场D125号

TEL: 021-28311762 56703037 13701955389 FAX: 021-56703037

西安分公司：西安高新开发区20所(中国电子科技集团导航技术研究所)

西安劳动南路88号电子商城二楼D23号

TEL: 029-81022619 13072977981 FAX: 029-88789382