



# Low Voltage Temperature Sensors

## TMP35/TMP36/TMP37

### FEATURES

- Low Voltage Operation (+2.7 V to +5.5 V)
- Calibrated Directly in °C
- 10 mV/°C Scale Factor (20 mV/°C on TMP37)
- ±2°C Accuracy Over Temperature (typ)
- ±0.5°C Linearity (typ)
- Stable with Large Capacitive Loads
- Specified -40°C to +125°C, Operation to +150°C
- Less than 50 µA Quiescent Current
- Shutdown Current 0.5 µA max
- Low Self-Heating

### APPLICATIONS

- Environmental Control Systems
- Thermal Protection
- Industrial Process Control
- Fire Alarms
- Power System Monitors
- CPU Thermal Management

### PRODUCT DESCRIPTION

The TMP35, TMP36 and TMP37 are low voltage, precision centigrade temperature sensors. They provide a voltage output that is linearly proportional to the Celsius (Centigrade) temperature. The TMP35/TMP36/TMP37 do not require any external calibration to provide typical accuracies of ±1°C at +25°C and ±2°C over the -40°C to +125°C temperature range.

The low output impedance of the TMP35/TMP36/TMP37, and its linear output and precise calibration simplify interfacing to temperature control circuitry and A/D converters. All three devices are intended for single-supply operation from 2.7 V to 5.5 V maximum. Supply current runs well below 50 µA providing very low self-heating—less than 0.1°C in still air. In addition, a shutdown function is provided to cut supply current to less than 0.5 µA.

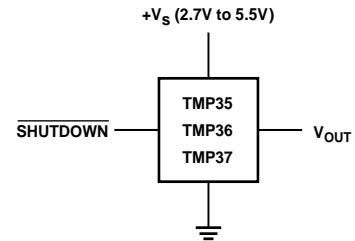
The TMP35 is functionally compatible with the LM35/LM45 and provides a 250 mV output at +25°C. The TMP35 reads temperatures from +10°C to +125°C. The TMP36 is specified from -40°C to +125°C, provides a 750 mV output at +25°C and operates to +125°C from a single 2.7 V supply. The TMP36 is functionally compatible with the LM50. Both the TMP35 and TMP36 have an output scale factor of +10 mV/°C. The TMP37 is intended for applications over the range +5°C to +100°C, and provides an output scale factor of 20 mV/°C. The TMP37 provides a 500 mV output at +25°C. Operation extends to +150°C with reduced accuracy for all devices when operating from a 5 V supply.

The TMP35/TMP36/TMP37 are all available in low cost 3-pin TO-92, and SO-8 and 5-pin SOT-23 surface mount packages.

### REV. A

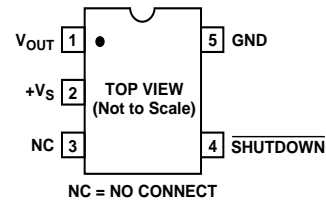
Information furnished by Analog Devices is believed to be accurate and reliable. However, no responsibility is assumed by Analog Devices for its use, nor for any infringements of patents or other rights of third parties which may result from its use. No license is granted by implication or otherwise under any patent or patent rights of Analog Devices.

### FUNCTIONAL BLOCK DIAGRAM

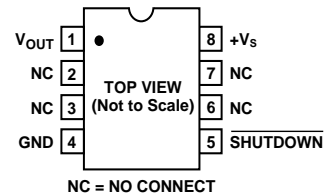


### PACKAGE TYPES AVAILABLE

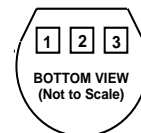
#### RT-5 (SOT-23)



#### SO-8



#### TO-92



PIN 1 - +Vs, PIN 2 - VOUT, PIN 3 - GND

**TMP35/TMP36/TMP37F/G—SPECIFICATIONS<sup>1</sup>** ( $V_S = +2.7\text{ V to }+5.5\text{ V}$ ,  $-40^\circ\text{C} \leq T_A \leq +125^\circ\text{C}$  unless otherwise noted)

Parameter	Symbol	Conditions	Min	Typ	Max	Units
<b>ACCURACY</b>						
TMP35/TMP36/TMP37F		$T_A = +25^\circ\text{C}$		$\pm 1$	$\pm 2$	$^\circ\text{C}$
TMP35/TMP36/TMP37G		$T_A = +25^\circ\text{C}$		$\pm 1$	$\pm 3$	$^\circ\text{C}$
TMP35/TMP36/TMP37F		Over Rated Temperature		$\pm 2$	$\pm 3$	$^\circ\text{C}$
TMP35/TMP36/TMP37G		Over Rated Temperature		$\pm 2$	$\pm 4$	$^\circ\text{C}$
Scale Factor, TMP35		$+10^\circ\text{C} \leq T_A \leq +125^\circ\text{C}$		+10	+9.8/+10.2	mV/ $^\circ\text{C}$
Scale Factor, TMP36		$-40^\circ\text{C} \leq T_A \leq +125^\circ\text{C}$		+10	+9.8/+10.2	mV/ $^\circ\text{C}$
Scale Factor, TMP37		$+5^\circ\text{C} \leq T_A \leq +85^\circ\text{C}$		+20	+19.6/+20.4	mV/ $^\circ\text{C}$
		$+5^\circ\text{C} \leq T_A \leq +100^\circ\text{C}$		+20	+19.6/+20.4	mV/ $^\circ\text{C}$
		$3.0\text{ V} \leq +V_S \leq 5.5\text{ V}$				
Load Regulation		$0\ \mu\text{A} \leq I_L \leq 50\ \mu\text{A}$		1	20	m $^\circ\text{C}/\mu\text{A}$
Power Supply Rejection Ratio	PSRR	$T_A = +25^\circ\text{C}$		30	100	m $^\circ\text{C}/\text{V}$
	PSRR	$3.0\text{ V} \leq +V_S \leq 5.5\text{ V}$		50		m $^\circ\text{C}/\text{V}$
Linearity				0.5		$^\circ\text{C}$
Long-Term Stability		$T_A = +150^\circ\text{C}$ for 1 kHrs		0.4		$^\circ\text{C}$
<b>SHUTDOWN</b>						
Logic High Input Voltage	$V_{IH}$	$V_S = 2.7\text{ V}$	1.8			V
Logic Low Input Voltage	$V_{IL}$	$V_S = 5.5\text{ V}$			400	mV
<b>OUTPUT</b>						
TMP35 Output Voltage		$T_A = +25^\circ\text{C}$		250		mV
TMP36 Output Voltage		$T_A = +25^\circ\text{C}$		750		mV
TMP37 Output Voltage		$T_A = +25^\circ\text{C}$		500		mV
Output Voltage Range			100		2000	mV
Output Load Current	$I_L$		0		50	$\mu\text{A}$
Short-Circuit Current	$I_{SC}$	Note 2			250	$\mu\text{A}$
Capacitive Load Driving	$C_L$	No Oscillations <sup>2</sup>	1000	10000		pF
Device Turn-On Time		Output within $\pm 1^\circ\text{C}$ 100 k $\Omega$   100 pF Load <sup>2</sup>		0.5	1	ms
<b>POWER SUPPLY</b>						
Supply Range	$+V_S$		2.7		5.5	V
Supply Current	$I_{SY(ON)}$	Unloaded			50	$\mu\text{A}$
Supply Current (Shutdown)	$I_{SY(OFF)}$	Unloaded		0.01	0.5	$\mu\text{A}$

## NOTES

<sup>1</sup>Does not consider errors caused by self-heating.<sup>2</sup>Guaranteed but not tested.

Specifications subject to change without notice.

**TMP35/TMP36/TMP37****WAFER TEST LIMITS** ( $V_S = +5\text{ V}$ ,  $\text{GND} = 0\text{ V}$ ,  $T_A = +25^\circ\text{C}$ , unless otherwise noted)

Parameter	Symbol	Conditions	Min	Typ	Max	Units
ACCURACY Scale Factor Deviation Power Supply Rejection Ratio	PSRR	$T_A = +25^\circ\text{C}$ $2.7\text{ V} \leq +V_S \leq 5.5\text{ V}$		30	$\pm 2$	$^\circ\text{C}$ $\text{m}^\circ\text{C}/\text{V}$
SHUTDOWN Logic High Input Voltage Logic Low Input Voltage	$V_{\text{IH}}$ $V_{\text{IL}}$	$V_S = 2.7\text{ V}$ $V_S = 5.5\text{ V}$	1.8		400	$\text{V}$ $\text{mV}$
OUTPUT TMP35 Output Voltage TMP36 Output Voltage TMP37 Output Voltage Short-Circuit Current Device Turn-On Time	$I_{\text{SC}}$	$T_A = +25^\circ\text{C}$ $T_A = +25^\circ\text{C}$ $T_A = +25^\circ\text{C}$ $V_S = 5.5\text{ V}$ Output within $\pm 1^\circ\text{C}$ 100 k $\Omega$   100 pF Load <sup>1</sup>		250 750 500 0.5	250 1	$\text{mV}$ $\text{mV}$ $\text{mV}$ $\mu\text{A}$ $\text{ms}$
POWER SUPPLY Supply Range Supply Current Supply Current (Shutdown)	$V_+$ $I_{\text{SY}}(\text{ON})$ $I_{\text{SY}}(\text{OFF})$	Unloaded at +5 V Unloaded at +5 V	2.7		5.5 50 0.5	$\text{V}$ $\mu\text{A}$ $\mu\text{A}$

## NOTES

Electrical tests are performed at wafer probe to the limits shown. Due to variations in assembly methods and normal yield loss, yield after packaging is not guaranteed for standard product dice. Consult factory to negotiate specifications based on dice lot qualification through sample lot assembly and testing.

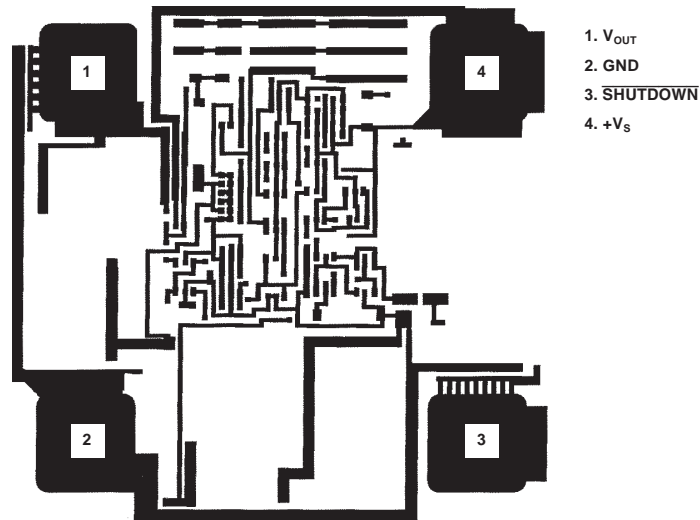
<sup>1</sup>Guaranteed but not tested.

**DICE CHARACTERISTICS**

Die Size 0.027 × 0.030 inch, 810 sq. mils  
(0.685 × 0.762 mm, 0.522 sq. mm)

**TRANSISTOR COUNT: 25**

Substrate is connected to + $V_S$



For additional DICE ordering information, refer to databook.

**CAUTION**

ESD (electrostatic discharge) sensitive device. Electrostatic charges as high as 4000 V readily accumulate on the human body and test equipment and can discharge without detection. Although the TMP35/TMP36/TMP37 features proprietary ESD protection circuitry, permanent damage may occur on devices subjected to high energy electrostatic discharges. Therefore, proper ESD precautions are recommended to avoid performance degradation or loss of functionality.



# TMP35/TMP36/TMP37

## ABSOLUTE MAXIMUM RATINGS\*

Supply Voltage	+7 V
Shutdown Pin	$GND \leq \overline{SHUTDOWN} \leq +V_S$
Output Pin	$GND \leq V_{OUT} \leq +V_S$
Operating Temperature Range	-55°C to +150°C
Dice Junction Temperature	+175°C
Storage Temperature Range	-65°C to +160°C
Lead Temperature (Soldering, 60 sec)	+300°C

### \*CAUTION

- Stresses above those listed under Absolute Maximum Ratings may cause permanent damage to the device. This is a stress rating only; functional operation at or above this specification is not implied. Exposure to the above maximum rating conditions for extended periods may affect device reliability.
- Digital inputs are protected; however, permanent damage may occur on unprotected units from high-energy electrostatic fields. Keep units in conductive foam or packaging at all times until ready to use. Use proper antistatic handling procedures.
- Remove power before inserting or removing units from their sockets.

Package Type	$\theta_{JA}$	$\theta_{JC}$	Units
TO-92 (T9 Suffix)	162	120	°C/W
SO-8 (S Suffix)	158	43	°C/W
SOT-23 (RT Suffix)	300	180	°C/W

$\theta_{JA}$  is specified for device in socket (worst case conditions).

## ORDERING GUIDE

Model	Accuracy at 25°C (°C max)	Linear Operating Temperature Range	Package Options <sup>1</sup>
TMP35FT9	±2.0	+10°C to +125°C	TO-92
TMP35GT9	±3.0	+10°C to +125°C	TO-92
TMP35FS	±2.0	+10°C to +125°C	SO-8
TMP35GS	±3.0	+10°C to +125°C	SO-8
TMP35GRT <sup>2</sup>	±3.0	+10°C to +125°C	RT-5
TMP36FT9	±2.0	-40°C to +125°C	TO-92
TMP36GT9	±3.0	-40°C to +125°C	TO-92
TMP36FS	±2.0	-40°C to +125°C	SO-8
TMP36GS	±3.0	-40°C to +125°C	SO-8
TMP36GRT <sup>2</sup>	±3.0	-40°C to +125°C	RT-5
TMP37FT9	±2.0	+5°C to +100°C	TO-92
TMP37GT9	±3.0	+5°C to +100°C	TO-92
TMP37FS	±2.0	+5°C to +100°C	SO-8
TMP37GS	±3.0	+5°C to +100°C	SO-8
TMP37GRT <sup>2</sup>	±3.0	+5°C to +100°C	RT-5

### NOTES

<sup>1</sup>SO = Small Outline; RT = Plastic Surface Mount; TO = Plastic.

<sup>2</sup>Consult factory for availability.

## FUNCTIONAL DESCRIPTION

An equivalent circuit for the TMP3x family of micropower, centigrade temperature sensors is shown in Figure 1. At the heart of the temperature sensor is a bandgap core, which is comprised of transistors Q1 and Q2, biased by Q3 to approximately 8 μA. The bandgap core operates both Q1 and Q2 at the same collector current level; however, since the emitter area of Q1 is 10 times that of Q2, Q1's  $V_{BE}$  and Q2's  $V_{BE}$  are not equal by the following relationship:

$$\Delta V_{BE} = V_T \times \ln \left( \frac{A_{E,Q1}}{A_{E,Q2}} \right)$$

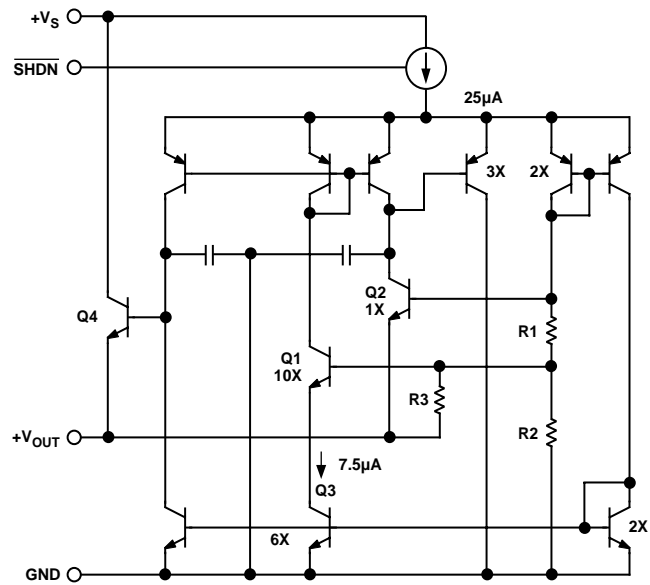


Figure 1. Temperature Sensor Simplified Equivalent Circuit

Resistors R1 and R2 are used to scale this result to produce the output voltage transfer characteristic of each temperature sensor and, simultaneously, R2 and R3 are used to scale Q1's  $V_{BE}$  as an offset term in  $V_{OUT}$ . Table I summarizes the differences between the three temperature sensors' output characteristics:

Table I. TMP3x Output Characteristics

Sensor	Offset Voltage (V)	Output Voltage Scaling (mV/°C)	Output Voltage @ 25°C
TMP35	0	10	250 mV
TMP36	0.5	10	750 mV
TMP37	0	20	500 mV

The output voltage of the temperature sensor is available at the emitter of Q4, which buffers the bandgap core and provides load current drive. Q4's current gain, working with the available base current drive from the previous stage, sets the short-circuit current limit of these devices to 250 μA.

# TMP35/TMP36/TMP37

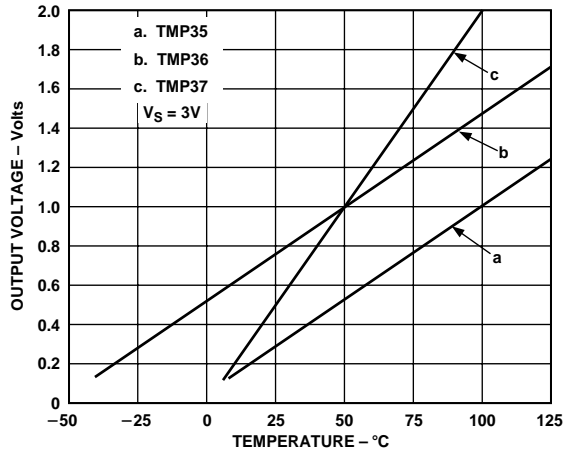


Figure 2. Output Voltage vs. Temperature

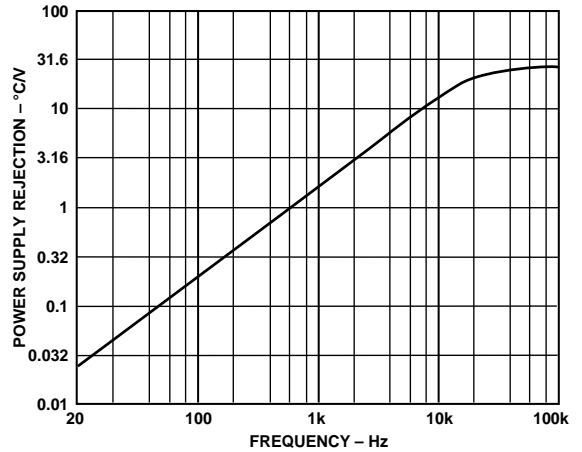


Figure 5. Power Supply Rejection vs. Frequency

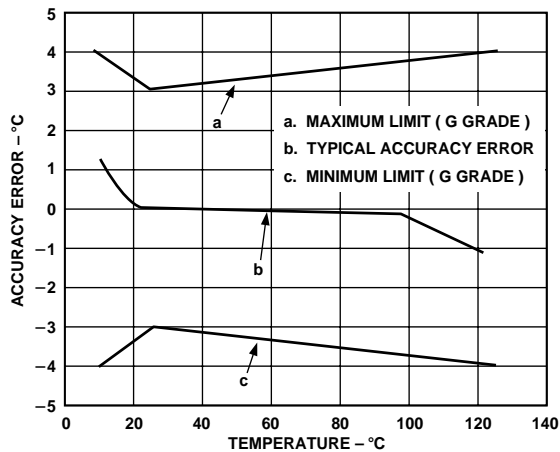


Figure 3. Accuracy Error vs. Temperature

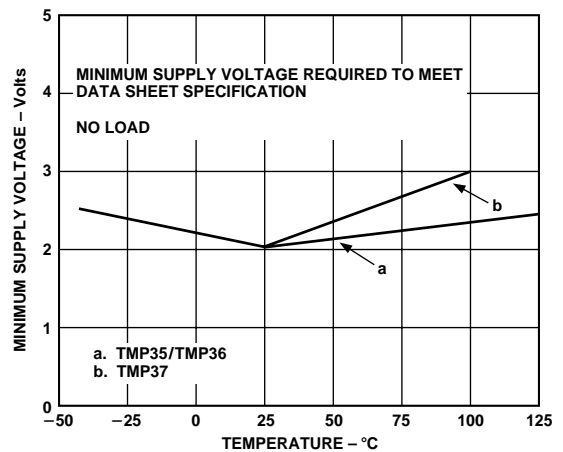


Figure 6. Minimum Supply Voltage vs. Temperature

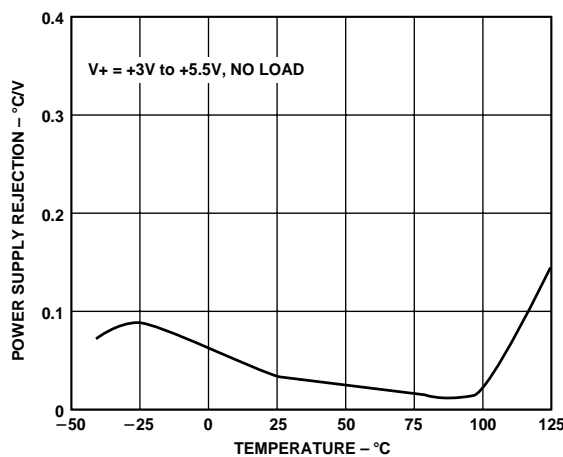


Figure 4. Power Supply Rejection vs. Temperature

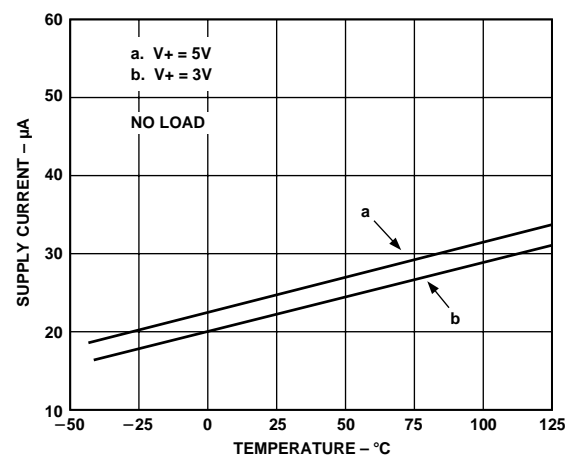


Figure 7. Supply Current vs. Temperature

# TMP35/TMP36/TMP37

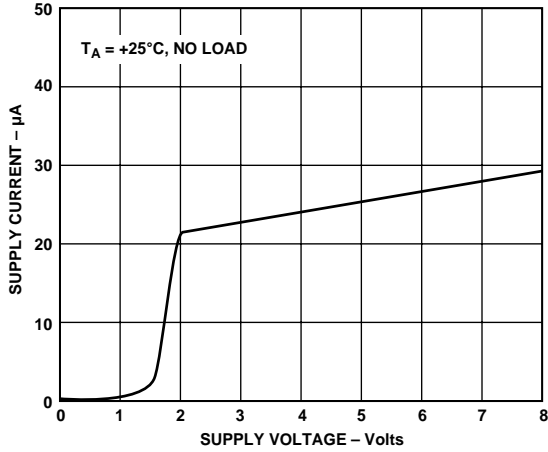


Figure 8. Supply Current vs. Supply Voltage

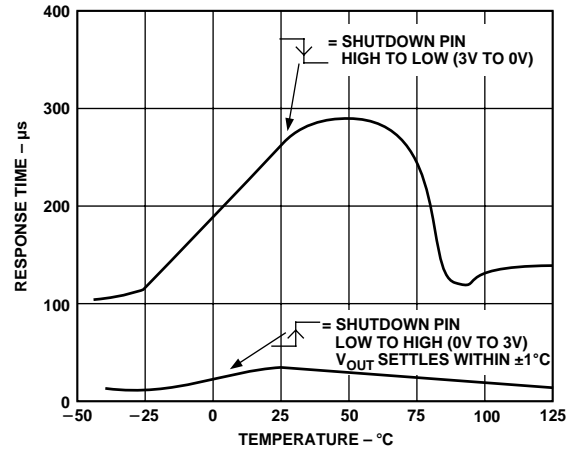


Figure 11.  $V_{OUT}$  Response Time for Shutdown Pin vs. Temperature

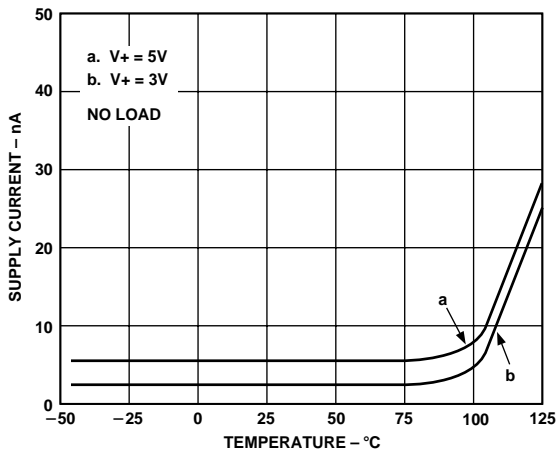


Figure 9. Supply Current vs. Temperature (Shutdown = 0 V)

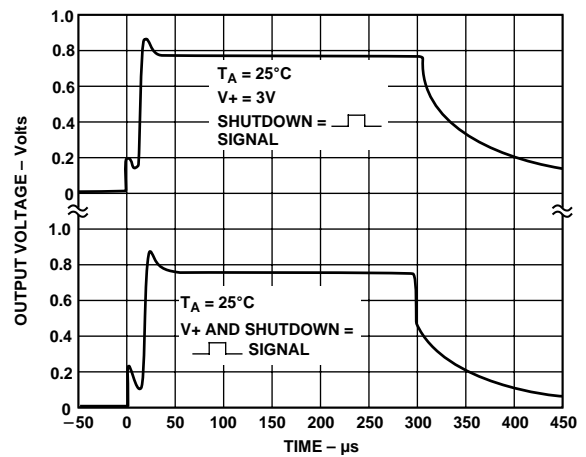


Figure 12.  $V_{OUT}$  Response Time to Shutdown and  $V_+$  Pins vs. Time

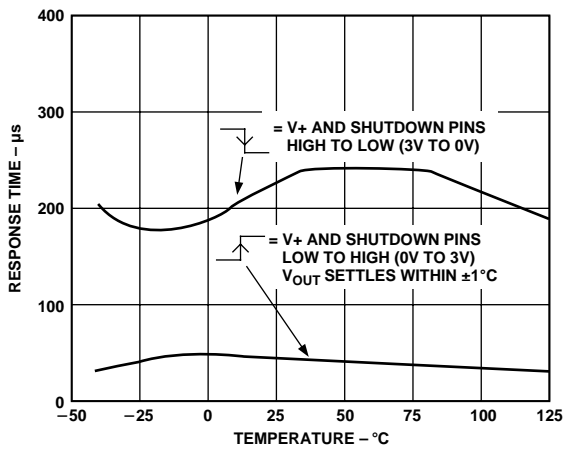


Figure 10.  $V_{OUT}$  Response Time for  $V_+$  Power-Up/Power-Down vs. Temperature

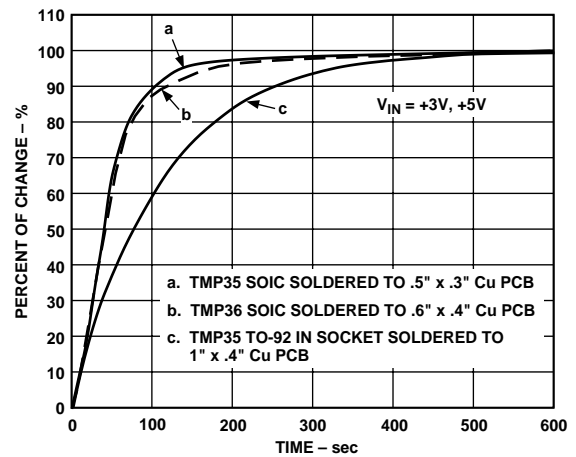


Figure 13. Thermal Response Time in Still Air

# TMP35/TMP36/TMP37

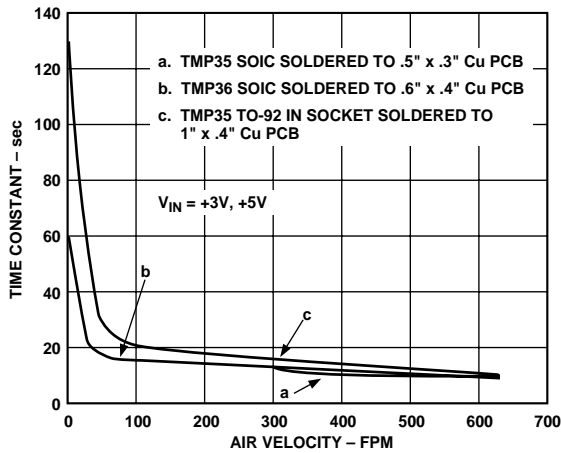


Figure 14. Thermal Response Time Constant in Forced Air

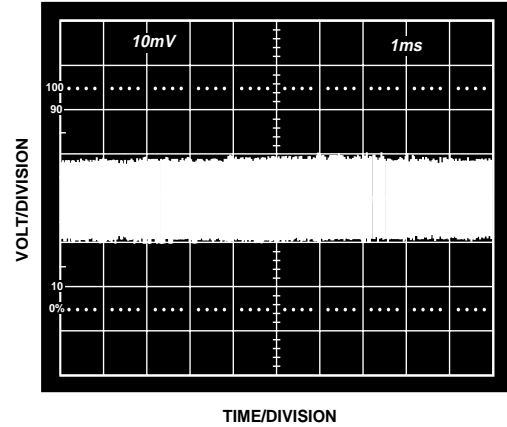


Figure 16. Temperature Sensor Wideband Output Noise Voltage. Gain = 100, BW = 157 kHz

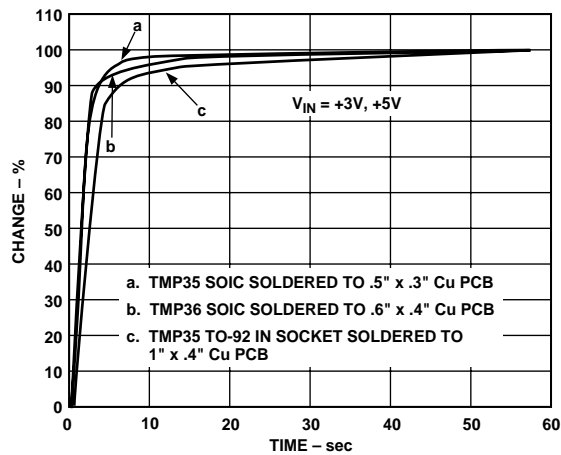


Figure 15. Thermal Response Time in Stirred Oil Bath

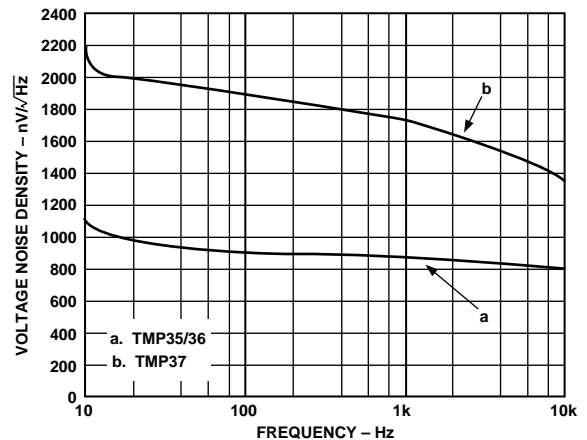


Figure 17. Voltage Noise Spectral Density vs. Frequency

## APPLICATIONS SECTION

### Shutdown Operation

All TMP3x devices include a shutdown capability that reduces the power supply drain to less than 0.5  $\mu$ A, maximum. This feature, available only in the SO-8 and the SOT-23 packages, is TTL/CMOS level compatible, provided that the temperature sensor supply voltage is equal in magnitude to the logic supply voltage. Internal to the TMP3x at the SHUTDOWN pin, a pull-up current source to  $V_{IN}$  is connected. This permits the SHUTDOWN pin to be driven from an open-collector/drain driver. A logic LOW, or zero-volt condition on the SHUTDOWN pin, is required to turn the output stage OFF. During shutdown, the output of the temperature sensors becomes a high impedance state where the potential of the output pin would then be determined by external circuitry. If the shutdown feature is not used, it is recommended that the SHUTDOWN pin be connected to  $V_{IN}$  (Pin 8 on the SO-8, Pin 2 on the SOT-23).

The shutdown response time of these temperature sensors is illustrated in Figures 10, 11 and 12.

### Mounting Considerations

If the TMP3x temperature sensors are thermally attached and protected, they can be used in any temperature measurement application where the maximum temperature range of the medium is between  $-40^{\circ}\text{C}$  to  $+125^{\circ}\text{C}$ . Properly cemented or glued to the surface of the medium, these sensors will be within  $0.01^{\circ}\text{C}$  of the surface temperature. Caution should be exercised, especially with TO-92 packages, because the leads and any wiring to the device can act as heat pipes, introducing errors if the surrounding air-surface interface is not isothermal. Avoiding this condition is easily achieved by dabbing the leads of the temperature sensor and the hookup wires with a bead of thermally conductive epoxy. This will ensure that the TMP3x die temperature is not affected by the surrounding air temperature.

Because plastic IC packaging technology is used, excessive mechanical stress should be avoided when fastening the device with a clamp or a screw-on heat tab. Thermally conductive epoxy or glue, which must be electrically nonconductive, is recommended under typical mounting conditions.

# TMP35/TMP36/TMP37

These temperature sensors, as well as any associated circuitry, should be kept insulated and dry to avoid leakage and corrosion. In wet or corrosive environments, any electrically isolated metal or ceramic well can be used to shield the temperature sensors. Condensation at very cold temperatures can cause errors and should be avoided by sealing the device, using electrically non-conductive epoxy paints or dip or any one of many printed circuit board coatings and varnishes.

### Thermal Environment Effects

The thermal environment in which the TMP3x sensors are used determines two important characteristics: self-heating effects and thermal response time. Illustrated in Figure 18 is a thermal model of the TMP3x temperature sensors that is useful in understanding these characteristics.

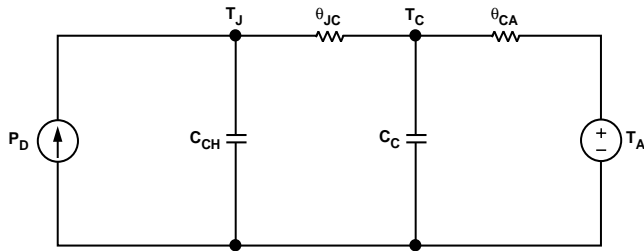


Figure 18. TMP3x Thermal Circuit Model

In the TO-92 package, the thermal resistance junction-to-case,  $\theta_{JC}$ , is 120°C/W. The thermal resistance case-to-ambient,  $\theta_{CA}$ , is the difference between  $\theta_{JA}$  and  $\theta_{JC}$ , and is determined by the characteristics of the thermal connection. The temperature sensor's power dissipation, represented by  $P_D$ , is the product of the total voltage across the device and its total supply current (including any current delivered to the load). The rise in die temperature above the medium's ambient temperature is given by:

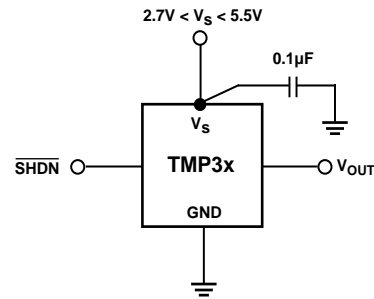
$$T_J = P_D \times (\theta_{JC} + \theta_{CA}) + T_A$$

Thus, the die temperature rise of a TMP35 "RT" package mounted into a socket in still air at 25°C and driven from a +5 V supply is less than 0.04°C.

The transient response of the TMP3x sensors to a step change in the temperature is determined by the thermal resistances and the thermal capacities of the die,  $C_{CH}$ , and the case,  $C_C$ . The thermal capacity of the case,  $C_C$ , varies with the measurement medium since it includes anything in direct contact with the package. In all practical cases, the thermal capacity of the case is the limiting factor in the thermal response time of the sensor and can be represented by a single-pole RC time constant response. Figures 13 and 15 illustrate the thermal response time of the TMP3x sensors under various conditions. The thermal time constant of a temperature sensor is defined as the time required for the sensor to reach 63.2% of the final value for a step change in the temperature. For example, the thermal time constant of a TMP35 "S" package sensor mounted onto a 0.5" by 0.3" PCB is less than 50 sec in air, whereas in a stirred oil bath the time constant is less than 3 sec.

### Basic Temperature Sensor Connections

The circuit in Figure 19 illustrates the basic circuit configuration for the TMP3x family of temperature sensors. The table shown in the figure illustrates the pin assignments of the temperature sensors for the three package types. For the SOT-23, Pin 3 is labeled as "NC" are as Pins 2, 3, 6 and 7 on the SO-8 package. It is recommended that no electrical connections be made to these pins. If the shutdown feature is not needed on the SOT-23 or the SO-8 package, the SHUTDOWN pin should be connected to  $V_S$ .



PIN ASSIGNMENTS

PACKAGE	$V_S$	GND	$V_{OUT}$	SHDN
SO-8	8	4	1	5
SOT-23-5	2	5	1	4
TO-92	1	3	2	NA

Figure 19. Basic Temperature Sensor Circuit Configuration

Note the 0.1  $\mu\text{F}$  bypass capacitor on the input. This capacitor should be a ceramic type, have very short leads (surface mount would be preferable), and located as close a physical proximity to the temperature sensor supply pin as practical. Since these temperature sensors operate on very little supply current and could be exposed to very hostile electrical environments, it is important to minimize the effects of RFI (Radio-Frequency Interference) on these devices. The effect of RFI on these temperature sensors in specific and analog ICs in general is manifested as abnormal dc shifts in the output voltage due to the rectification of the high frequency ambient noise by the IC. In those cases where the devices are operated in the presence of high frequency radiated or conducted noise, a large value tantalum capacitor (>2.2  $\mu\text{F}$ ) placed across the 0.1  $\mu\text{F}$  ceramic may offer additional noise immunity.

### Fahrenheit Thermometers

Although the TMP3x temperature sensors are centigrade temperature sensors, a few components can be used to convert the output voltage and transfer characteristics to directly read Fahrenheit temperatures. Shown in Figure 20a is an example of a simple Fahrenheit thermometer using either the TMP35 or the TMP37. This circuit can be used to sense temperatures from 41°F to 257°F, with an output transfer characteristic of 1 mV/°F using the TMP35, and from 41°F to 212°F using the TMP37 with an output characteristic of 2 mV/°F. This particular approach does not lend itself well to the TMP36 because of its inherent 0.5 V output offset. The circuit is constructed with an AD589, a 1.23 V voltage reference, and four resistors whose values for each sensor are shown in the figure table. The scaling of the

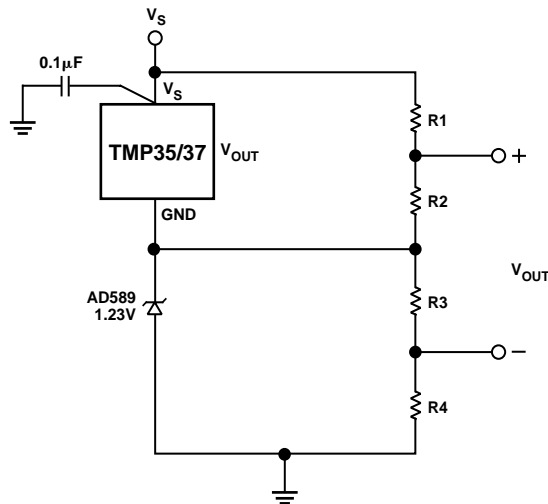
# TMP35/TMP36/TMP37

output resistance levels was to ensure minimum output loading on the temperature sensors. A generalized expression for the circuit's transfer equation is given by:

$$V_{OUT} = \left( \frac{R1}{R1 + R2} \right) (TMP35) + \left( \frac{R3}{R3 + R4} \right) (AD589)$$

where: *TMP35* = Output voltage of the TMP35, or the TMP37, at the measurement temperature,  $T_M$ , and  
*AD589* = Output voltage of the reference = 1.23 V.

Note that the output voltage of this circuit is not referenced to the circuit's common. If this output voltage were to be applied directly to the input of an ADC, the ADC's common should be adjusted accordingly.



PIN ASSIGNMENTS

SENSOR	TCV <sub>OUT</sub>	R1 (kΩ)	R2 (kΩ)	R3 (kΩ)	R4 (kΩ)
TMP35	1mV/°F	45.3	10	10	374
TMP37	2mV/°F	45.3	10	10	182

Figure 20a. TMP35/TMP37 Fahrenheit Thermometers

The same circuit principles can be applied to the TMP36, but because of the TMP36's inherent offset, the circuit uses two less resistors as shown in Figure 20b. In this circuit, the output voltage transfer characteristic is 1 mV/°F, but is referenced to the circuit's common; however, there is a 58 mV (58°F) offset in the output voltage. For example, the output voltage of the circuit would read 18 mV, were the TMP36 placed in -40°F ambient environment, and 315 mV at 257°F.

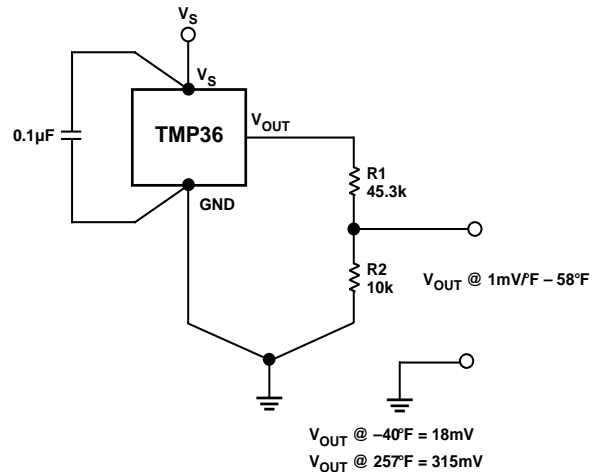


Figure 20b. TMP36 Fahrenheit Thermometer Version 1

At the expense of additional circuitry, the offset produced by the circuit in Figure 20b can be avoided by using the circuit in Figure 20c. In this circuit, the output of the TMP36 is conditioned by a single-supply, micropower op amp, the OP193. Although the entire circuit operates from a single +3 V supply, the output voltage of the circuit reads the temperature directly, with a transfer characteristic of 1 mV/°F, without offset. This is accomplished through the use of an ADM660, a supply voltage inverter. The +3 V supply is inverted and applied to the P193's V- terminal. Thus, for a temperature range between -40°F and 257°F, the output of the circuit reads -40 mV to 257 mV. A general expression for the circuit's transfer equation is given by:

$$V_{OUT} = \left( \frac{R6}{R5 + R6} \right) \left( 1 + \frac{R4}{R3} \right) (TMP36) - \left( \frac{R4}{R3} \right) \left( \frac{V_S}{2} \right)$$

### Average and Differential Temperature Measurement

In many commercial and industrial environments, temperature sensors are often used to measure the average temperature in a building, or the difference in temperature between two locations on a factory floor or in an industrial process. The circuits in Figures 21a and 21b demonstrate an inexpensive approach to average and differential temperature measurement. In Figure 21a, an OP193 is used to sum the outputs of three temperature sensors to produce an output voltage scaled by 10 mV/°C that represents the average temperature at three locations. The circuit can be extended to as many temperature sensors as required as long as the circuit's transfer equation is maintained. In this application, it is recommended that one temperature sensor type be used throughout the circuit; otherwise, the output voltage of the circuit will not produce an accurate reading of the various ambient conditions.

# TMP35/TMP36/TMP37

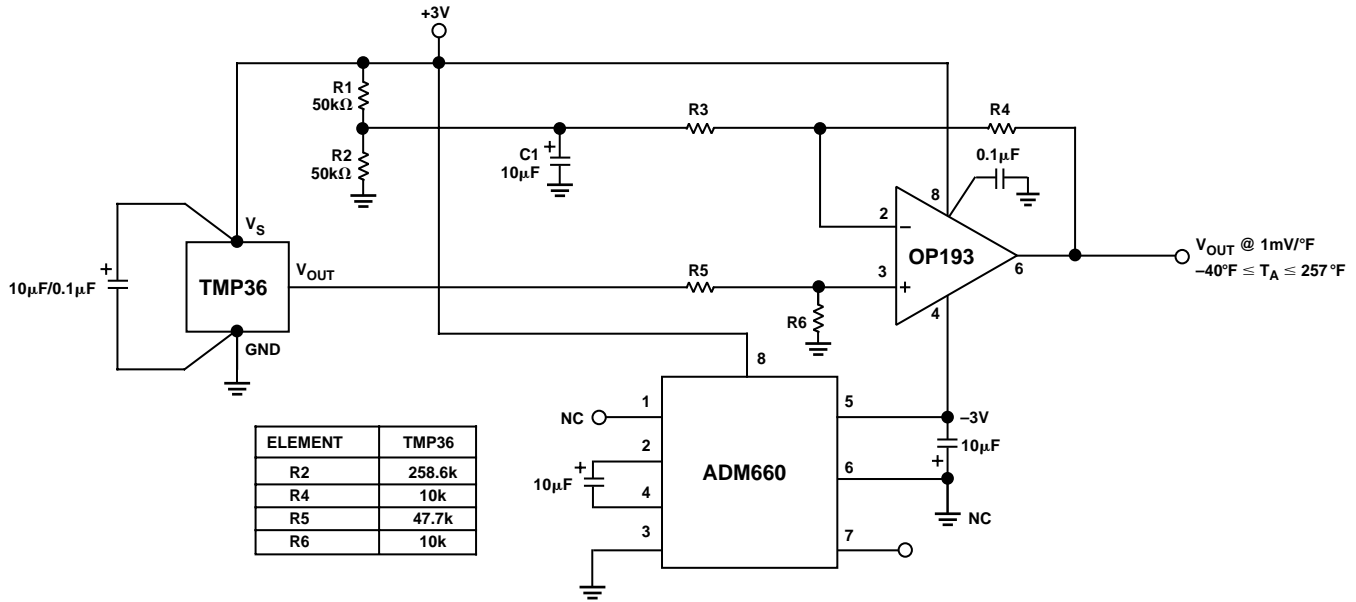


Figure 20c. TMP36 Fahrenheit Thermometer Version 2

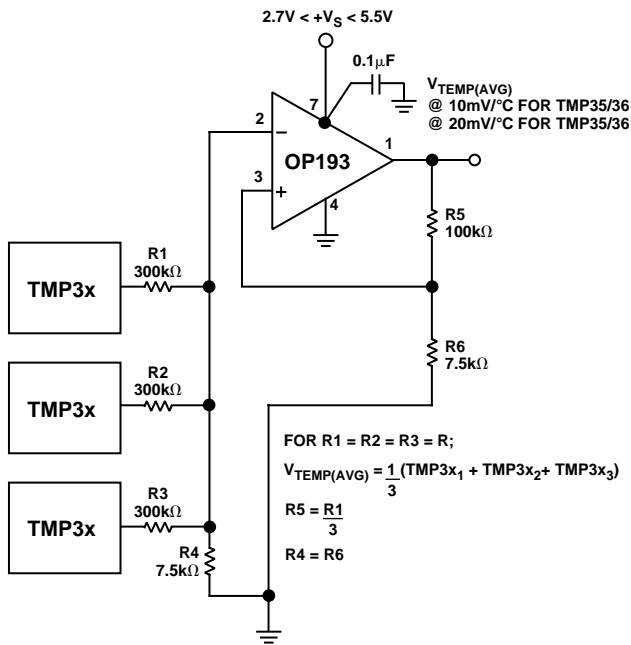


Figure 21a. Configuring Multiple Sensors for Average Temperature Measurements

The circuit in Figure 21b illustrates how a pair of TMP3x sensors can be used with an OP193 configured as a difference amplifier to read the difference in temperature between two locations. In these applications, it is always possible that one temperature sensor would be reading a temperature below that of the other sensor. To accommodate this condition, the output of the OP193 is offset to a voltage at one-half the supply via R5 and R6. Thus, the output voltage of the circuit is measured relative to this point,

as shown in the figure. Using the TMP36, the output voltage of the circuit is scaled by 10 mV/°C. To minimize error in the difference between the two measured temperatures, a common, readily available thin-film resistor network is used for R1-R4.

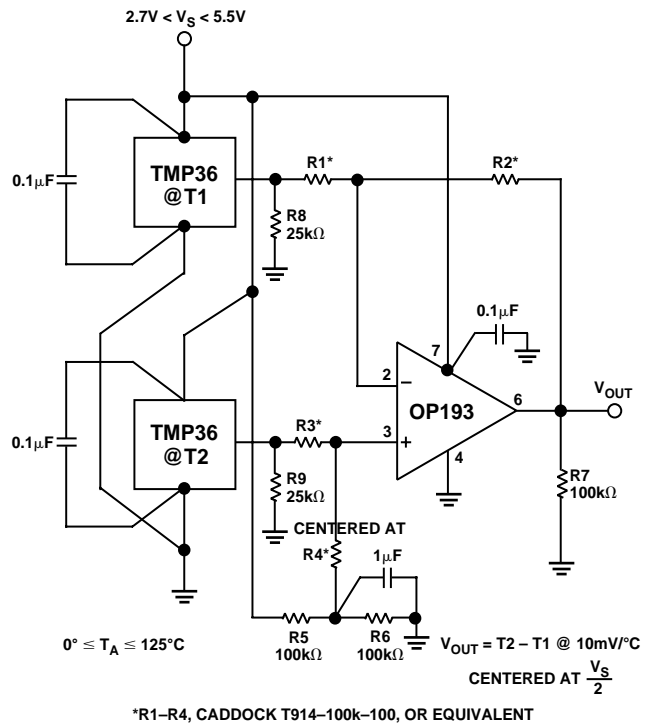


Figure 21b. Configuring Multiple Sensors for Differential Temperature Measurements



# TMP35/TMP36/TMP37

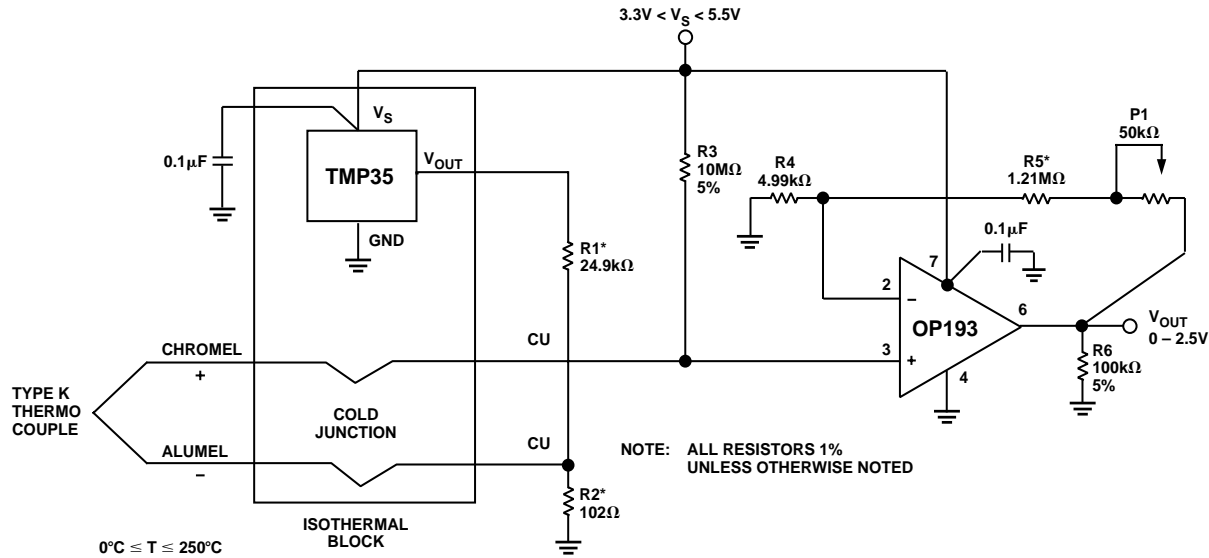


Figure 23. A Single-Supply, Type K Thermocouple Signal Conditioning Circuit with Cold-Junction Compensation

Illustrated in Figure 24 is a way to convert the output voltage of a TMP3x sensor into a current to be transmitted down a long twisted-pair shielded cable to a ground referenced receiver. The temperature sensors do not possess the capability of high output current operation; thus, a garden variety PNP transistor is used to boost the output current drive of the circuit. As shown in the table, the values of R2 and R3 were chosen to produce an arbitrary full-scale output current of 2 mA. Lower values for the full-scale current are not recommended. The minimum-scale output current produced by the circuit could be contaminated by nearby ambient magnetic fields operating in vicinity of the circuit/cable pair. Because of the use of an external transistor, the minimum recommended operating voltage for this circuit is +5 V. Note, to minimize the effects of EMI (or RFI) both the circuit's and the temperature sensor's supply pins are bypassed with good quality, ceramic capacitors.

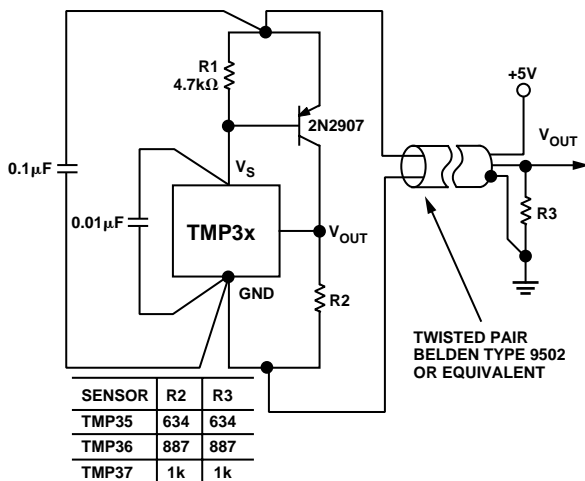


Figure 24. A Remote, Two-Wire Boosted Output Current Temperature Sensor

## A Temperature to 4–20 mA Loop Transmitter

In many process control applications, two-wire transmitters are used to convey analog signals through noisy ambient environments. These current transmitters use a “zero-scale” signal current of 4 mA that can be used to power the transmitter’s signal conditioning circuitry. The “full-scale” output signal in these transmitters is 20 mA.

A circuit that transmits temperature information in this fashion is illustrated in Figure 25. Using a TMP3x as the temperature sensor, the output current is linearly proportional to the temperature of the medium. The entire circuit operates from the +3 V output of the REF193. The REF193 requires no external trimming for two reasons: (1) the REF193’s tight initial output voltage tolerance and (2) the low supply current of TMP3x, the OP193 and the REF193. The entire circuit consumes less than 3 mA from a total budget of 4 mA. The OP193 regulates the output current to satisfy the current summation at the non-inverting node of the OP193. A generalized expression for the KCL equation at the OP193’s Pin 3 is given by:

$$I_{OUT} = \left( \frac{1}{R7} \right) \times \left( \frac{TMP3x \times R3}{R1} + \frac{V_{REF} \times R3}{R2} \right)$$

For each of the three temperature sensors, the table below illustrates the values for each of the components, P1, P2 and R1–R4:

Table II. Circuit Element Values for Loop Transmitter

Sensor	R1(Ω)	P1(Ω)	R2(Ω)	P2(Ω)	R3(Ω)	R4(Ω)
TMP35	97.6 k	5 k	1.58 M	100 k	140 k	56.2 k
TMP36	97.6 k	5 k	931 k	50 k	97.6 k	47 k
TMP37	97.6 k	5 k	10.5 k	500	84.5 k	8.45 k

# TMP35/TMP36/TMP37

The 4 mA offset trim is provided by P2, and P1 provides the circuit's full-scale gain trim at 20 mA. These two trims do not interact because the noninverting input of the OP193 is held at a virtual ground. The zero-scale and full-scale output currents of the circuit are adjusted according to the operating temperature range of each temperature sensor. The Schottky diode, D1, is required in this circuit to prevent loop supply power-on transients from pulling the noninverting input of the OP193 more than 300 mV below its inverting input. Without this diode, such transients could cause phase reversal of the operational amplifier and possible latchup of the transmitter. The loop supply voltage compliance of the circuit is limited by the maximum applied input voltage to the REF193 and is from +9 V to +18 V.

### A Temperature to Frequency Converter

Another common method of transmitting analog information from a remote location is to convert a voltage to an equivalent in the frequency domain. This is readily done with any of the low cost, monolithic voltage-to-frequency converters (VFCs) available. These VFCs feature a robust, open-collector output transistor for easy interfacing to digital circuitry. The digital signal produced by the VFC is less susceptible to contamination from external noise sources and line voltage drops because the only important information is the frequency of the digital signal. As long as the conversions between temperature and frequency are done accurately, the temperature data from the sensors can be reliably transmitted.

The circuit in Figure 26 illustrates a method by which the outputs of these temperature sensors can be converted to a frequency using the AD654. The output signal of the AD654 is a square wave that is proportional to the dc input voltage across Pins 4 and 3. The transfer equation of the circuit is given by:

$$f_{OUT} = \left( \frac{V_{TMP} - V_{OFFSET}}{10 \times (R_T \times C_T)} \right)$$

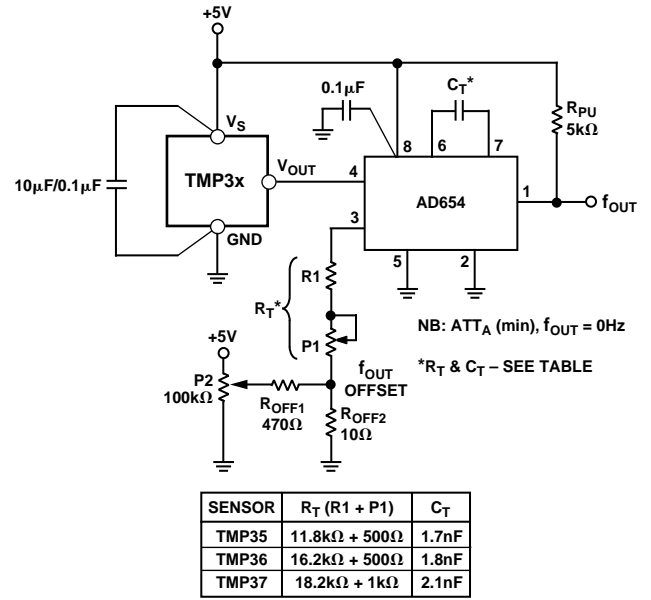


Figure 26. A Temperature to Frequency Converter

An offset trim network (fOUT OFFSET) is included with this circuit to set fOUT at 0 Hz when the temperature sensor's minimum output voltage is reached. Potentiometer P1 is required to calibrate the absolute accuracy of the AD654. The table in the figure illustrates the circuit element values for each of the three sensors. The nominal offset voltage required for 0 Hz output from the TMP35 is 50 mV; for the TMP36 and TMP37, the offset voltage required is 100 mV. In all cases for the circuit values shown, the output frequency transfer characteristic of the circuit was set at 50 Hz/°C. At the receiving end, a frequency-to-voltage converter (FVC) can be used to convert the frequency back to a dc voltage for further processing. One such FVC is the AD650.

For complete information on the AD650 and AD654, please consult the individual data sheets for those devices.

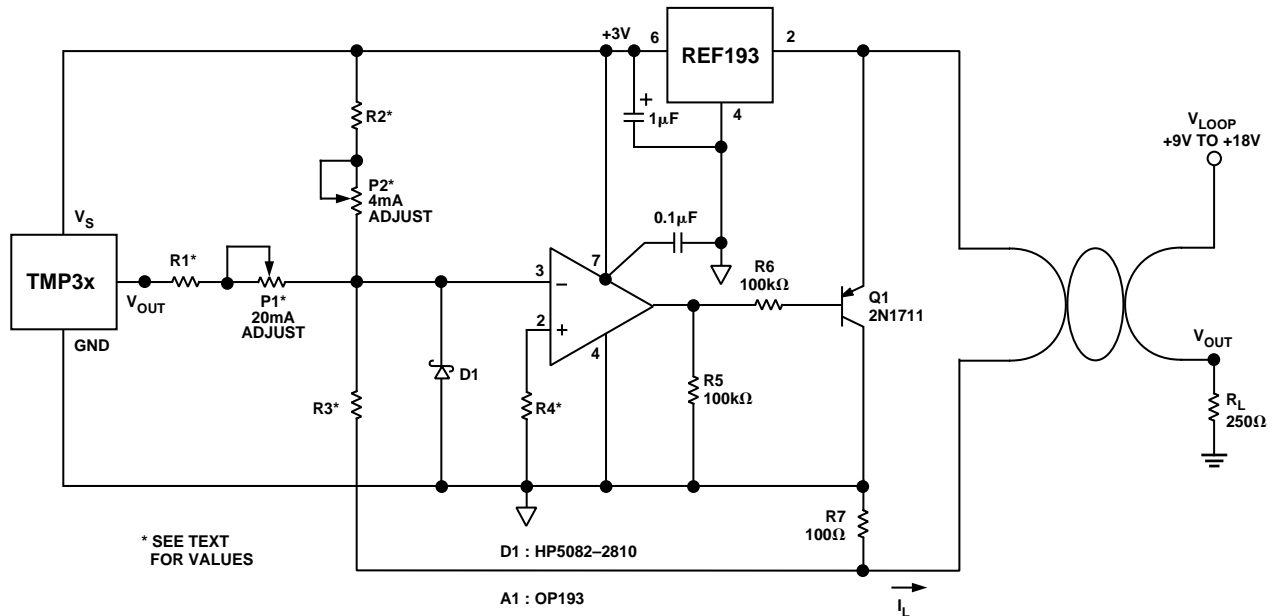


Figure 25. A Temperature to 4-to-20 mA Loop Transmitter

## TMP35/TMP36/TMP37

### Driving Long Cables or Heavy Capacitive Loads

Although the TMP3x family of temperature sensors is capable of driving capacitive loads up to 10,000 pF without oscillation, output voltage transient response times can be improved with the use of a small resistor in series with the output of the temperature sensor, as shown in Figure 27. As an added benefit, this resistor forms a low-pass filter with the cable's capacitance, which helps to reduce bandwidth noise. Since the temperature sensor is likely to be used in environments where the ambient noise level can be very high, this resistor helps to prevent rectification by the devices of the high frequency noise. The combination of this resistor and the supply bypass capacitor offers the best protection.

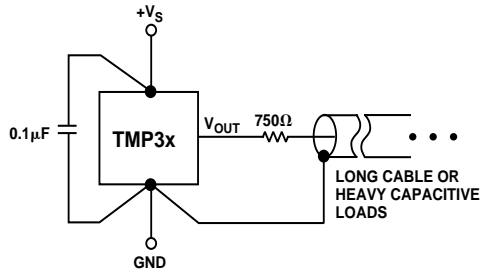


Figure 27. Driving Long Cables or Heavy Capacitive Loads

### Commentary on Long-Term Stability

The concept of long-term stability has been used for many years to describe by what amount an IC's parameter would shift during its lifetime. This is a concept that has been typically applied to both voltage references and monolithic temperature sensors. Unfortunately, integrated circuits cannot be evaluated at room temperature (25°C) for 10 years or so to determine this shift. As a result, manufacturers very typically perform accelerated lifetime testing of integrated circuits by operating ICs at elevated temperatures (between 125°C and 150°C) over a shorter period of time (typically, between 500 and 1000 hours).

As a result of this operation, the lifetime of an integrated circuit is significantly accelerated due to the increase in rates of reaction within the semiconductor material. A well-understood, and universal, model used by the semiconductor industry, that

relates the change in rates of reaction to a change in elevated temperatures, is the Arrhenius model. From the Arrhenius model, an acceleration factor can be calculated and applied to the parameter specified. For example, this acceleration factor can be used to reduce a temperature sensor's long-term stability (e.g., 0.4°C after 1000 hours at  $T_J = 150^\circ\text{C}$ ) to an observed shift in that parameter at 25°C. For any semiconductor device, the acceleration factor is expressed as:

$$F = \exp \left[ \left( \frac{E_a}{k} \right) \times \left( \frac{1}{T_1} - \frac{1}{T_2} \right) \right]$$

where  $F$  = Calculated acceleration factor;

$E_a$  = Activation energy in eV = 0.7 eV;

$k$  = Boltzmann's constant =  $8.63 \times 10^{-5}$  eV/K;

$T_1$  = Test temperature in Kelvin,  $T_J = 150^\circ\text{C} = 423.15$  K;

and

$T_2$  = Desired operating temperature in Kelvin,

$T_J = 25^\circ\text{C} = 298.15$  K

For example, if the desired operating temperature of an IC is 25°C and has been subjected to test temperature of 150°C, the acceleration factor is:

$$F = 3.23 \times 10^{-4}$$

With this background information, the TMP3x family's long-term stability can be mapped to what its equivalent observed shift would be at  $T_A = 25^\circ\text{C}$ . As quoted in the data sheet, the long-term stability of these temperature sensors after 1000 hours at 150°C is 0.4°C. This shift is equivalent to 0.01°C/day at  $T_J = 150^\circ\text{C}$ . To determine what the observed shift would be at  $T_A = 25^\circ\text{C}$  is a matter of applying the acceleration factor calculated above to this result:

$$0.01^\circ\text{C} / \text{day} \times 3.23 \times 10^{-4} = 0.003 \text{ m}^\circ\text{C} / \text{day} @ 25^\circ\text{C}$$

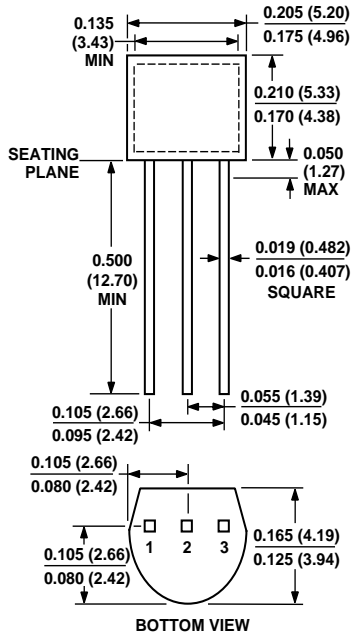
Thus, if any of the TMP3x devices were to be used at 25°C, the observed shift would be no more than 0.003 m°C per day, or 0.1 m°C per month. Calculating the observed shift for any other operating temperature is simply a matter of calculating a new acceleration factor.

# TMP35/TMP36/TMP37

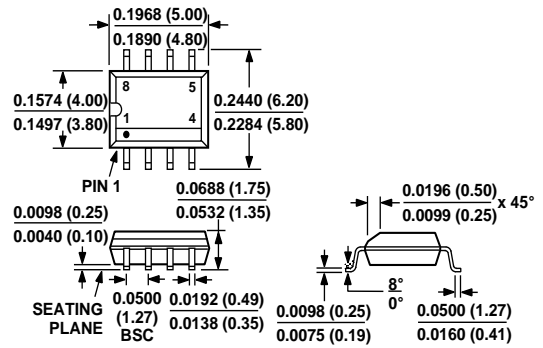
## OUTLINE DIMENSIONS

Dimensions shown in inches and (mm).

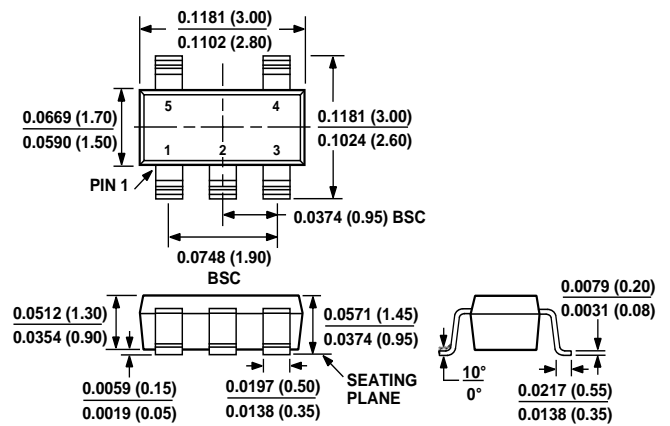
### 3-Lead Plastic Package (TO-92)



### 8-Lead SOIC (SO-8)



### 5-Lead Surface Mount RT-5 (SOT-23 Type)





SUNSTAR商斯达实业集团是集研发、生产、工程、销售、代理经销、技术咨询、信息服务等为一体的高科技企业，是专业高科技电子产品生产厂家，是具有 10 多年历史的专业电子元器件供应商，是中国最早和最大的仓储式连锁规模经营大型综合电子零部件代理分销商之一，是一家专业代理和分销世界各大品牌 IC 芯片和电子元器件的连锁经营综合性国际公司。在香港、北京、深圳、上海、西安、成都等全国主要电子市场设有直属分公司和产品展示展销窗口门市部专卖店及代理分销商，已在全国范围内建成强大统一的供货和代理分销网络。我们专业代理经销、开发生产电子元器件、集成电路、传感器、微波光电元器件、工控机/DOC/DOM 电子盘、专用电路、单片机开发、MCU/DSP/ARM/FPGA 软件硬件、二极管、三极管、模块等，是您可靠的一站式现货配套供应商、方案提供商、部件功能模块开发配套商。专业以现代信息产业（计算机、通讯及传感器）三大支柱之一的传感器为主营业务，专业经营各类传感器的代理、销售生产、网络信息、科技图书资料及配套产品设计、工程开发。我们的专业网站——中国传感器科技信息网（全球传感器数据库）[www.SENSOR-IC.COM](http://www.SENSOR-IC.COM) 服务于全球高科技生产商及贸易商，为企业科技产品开发提供技术交流平台。欢迎各厂商互通有无、交换信息、交换链接、发布寻求代理信息。欢迎国外高科技传感器、变送器、执行器、自动控制产品厂商介绍产品到中国，共同开拓市场。本网站是关于各种传感器-变送器-仪器仪表及工业自动化大型专业网站，深入到工业控制、系统工程计 测量、自动化、安防报警、消费电子等众多领域，把最新的传感器-变送器-仪器仪表买卖信息，最新技术供求，最新采购商，行业动态，发展方向，最新的技术应用和市场资讯及时的传递给广大科技开发、科学研究、产品设计人员。本网站已成功为石油、化工、电力、医药、生物、航空、航天、国防、能源、冶金、电子、工业、农业、交通、汽车、矿山、煤炭、纺织、信息、通信、IT、安防、环保、印刷、科研、气象、仪器仪表等领域从事科学研究、产品设计、开发、生产制造的科技人员、管理人员、和采购人员提供满意服务。我们公司专业生产、代理、经销、销售各种传感器、变送器、敏感元器件、开关、执行器、仪器仪表、自动化控制系统：专门从事设计、生产、销售各种传感器、变送器、各种测控仪表、热工仪表、现场控制器、计算机控制系统、数据采集系统、各类环境监控系统、专用控制系统应用软件以及嵌入式系统开发及应用等工作。如热敏电阻、压敏电阻、温度传感器、温度变送器、湿度传感器、湿度变送器、气体传感器、气体变送器、压力传感器、压力变送、称重传感器、物（液）位传感器、物（液）位变送器、流量传感器、流量变送器、电流（压）传感器、溶氧传感器、霍尔传感器、图像传感器、超声波传感器、位移传感器、速度传感器、加速度传感器、扭距传感器、红外传感器、紫外传感器、火焰传感器、激光传感器、振动传感器、轴角传感器、光电传感器、接近传感器、干簧管传感器、继电器传感器、微型电泵、磁敏（阻）传感器、压力开关、接近开关、光电开关、色标传感器、光纤传感器、齿轮测速传感器、时间继电器、计数器、计米器、温控仪、固态继电器、调压模块、电磁铁、电压表、电流表等特殊传感器。同时承接传感器应用电路、产品设计和自动化工程项目。

更多产品请看本公司产品专用销售网站：

商斯达中国传感器科技信息网：<http://www.sensor-ic.com/>

商斯达工控安防网：<http://www.pc-ps.net/>

商斯达电子元器件网：<http://www.sunstare.com/>

商斯达微波光电产品网：[HTTP://www.rfoe.net/](http://www.rfoe.net/)

商斯达消费电子产品网：<http://www.icasic.com/>

商斯达军工产品网：<http://www.junpinic.com/>

商斯达实业科技产品网：<http://www.sunstars.cn/> 传感器销售热线：

地址：深圳市福田区福华路福庆街鸿图大厦 1602 室

电话：0755-83607652 83376489 83376549 83370250 83370251 82500323

传真：0755-83376182 (0) 13902971329 MSN: [SUNS888@hotmail.com](mailto:SUNS888@hotmail.com)

邮编：518033 E-mail: [szss20@163.com](mailto:szss20@163.com) QQ: 195847376

深圳赛格展销部：深圳华强北路赛格电子市场 2583 号 电话：0755-83665529 25059422

技术支持：0755-83394033 13501568376

欢迎索取免费详细资料、设计指南和光盘；产品凡多，未能尽录，欢迎来电查询。

北京分公司：北京海淀区知春路 132 号中发电子大厦 3097 号

TEL: 010-81159046 82615020 13501189838 FAX: 010-62543996

上海分公司：上海市北京东路 668 号上海赛格电子市场 D125 号

TEL: 021-28311762 56703037 13701955389 FAX: 021-56703037

西安分公司：西安高新开发区 20 所(中国电子科技集团导航技术研究所)

西安劳动南路 88 号电子商城二楼 D23 号

TEL: 029-81022619 13072977981 FAX:029-88789382