



# Low Cost, Current Output Temperature Transducer

## TMP17\*

### FEATURES

- Operating Temperature Range:  $-40^{\circ}\text{C}$  to  $+105^{\circ}\text{C}$
- Single Supply Operation:  $+4\text{ V}$  to  $+30\text{ V}$
- Excellent Repeatability and Stability
- High Level Output:  $1\ \mu\text{A}/\text{K}$
- Monolithic IC: Temperature In/Current Out
- Minimal Self-Heating Errors

### APPLICATIONS

- Appliance Temperature Sensor
- Automotive Temperature Measurement and Control
- HVAC System Monitoring
- Industrial Temperature Control
- Thermocouple Cold Junction Compensation

### GENERAL DESCRIPTION

The TMP17 is a monolithic integrated circuit temperature transducer that provides an output current proportional to absolute temperature. For a wide range of supply voltages the transducer acts as a high impedance temperature dependent current source of  $1\ \mu\text{A}/\text{K}$ . Improved design and laser wafer trimming of the IC's thin-film resistors allows the TMP17 to achieve absolute accuracy levels and nonlinearity errors previously unattainable at a comparable price.

The TMP17 can be employed in applications between  $-40^{\circ}\text{C}$  to  $+105^{\circ}\text{C}$  where conventional temperature sensors (i.e., thermistor, RTD, thermocouple, diode) are currently being used. Expensive linearization circuitry, precision voltage references, bridge components, resistance measuring circuitry and cold junction compensation are not required with the TMP17.

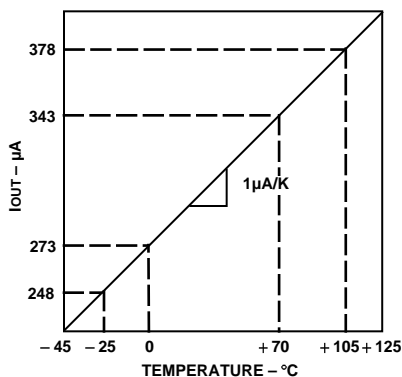


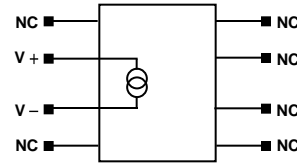
Figure 1. Transfer Characteristic

\*Protected by U.S. Patent No. 4,123,698

REV. 0

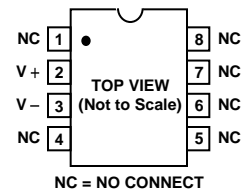
Information furnished by Analog Devices is believed to be accurate and reliable. However, no responsibility is assumed by Analog Devices for its use, nor for any infringements of patents or other rights of third parties which may result from its use. No license is granted by implication or otherwise under any patent or patent rights of Analog Devices.

### FUNCTIONAL DIAGRAM



### PACKAGE DIAGRAM

#### SO-8



The TMP17 is available in a low cost SO-8 surface-mount package.

### PRODUCT HIGHLIGHTS

1. A wide operating temperature range ( $-40^{\circ}\text{C}$  to  $+105^{\circ}\text{C}$ ) and highly linear output make the TMP17 an ideal substitute for older, more limited sensor technologies (i.e., thermistors, RTDs, diodes, thermocouples).
2. The TMP17 is electrically rugged; supply irregularities and variations or reverse voltages up to  $20\text{ V}$  will not damage the device.
3. Because the TMP17 is a temperature dependent current source, it is immune to voltage noise pickup and IR drops in the signal leads when used remotely.
4. The high output impedance of the TMP17 provides greater than  $0.5^{\circ}\text{C}/\text{V}$  rejection of supply voltage drift and ripple.
5. Laser wafer trimming and temperature testing insures that TMP17 units are easily interchangeable.
6. Initial system accuracy will not degrade significantly over time. The TMP17 has proven long term performance and repeatability advantages inherent in integrated circuit design and construction.

© Analog Devices, Inc., 1996

One Technology Way, P.O. Box 9106, Norwood, MA 02062-9106, U.S.A.  
Tel: 617/329-4700 Fax: 617/326-8703

SUNSTAR商斯达实业集团是集研发、生产、工程、销售、代理经销、技术咨询、信息服务等为一体的高科技企业，是专业高科技电子产品生产厂家，是具有 10 多年历史的专业电子元器件供应商，是中国最早和最大的仓储式连锁规模经营大型综合电子零部件代理分销商之一，是一家专业代理和分销世界各大品牌 IC 芯片和电子元器件的连锁经营综合性国际公司。在香港、北京、深圳、上海、西安、成都等全国主要电子市场设有直属分公司和产品展示展销窗口门市部专卖店及代理分销商，已在全国范围内建成强大统一的供货和代理分销网络。我们专业代理经销、开发生产电子元器件、集成电路、传感器、微波光电元器件、工控机/DOC/DOM 电子盘、专用电路、单片机开发、MCU/DSP/ARM/FPGA 软件硬件、二极管、三极管、模块等，是您可靠的一站式现货配套供应商、方案提供商、部件功能模块开发配套商。专业以现代信息产业（计算机、通讯及传感器）三大支柱之一的传感器为主营业务，专业经营各类传感器的代理、销售生产、网络信息、科技图书资料及配套产品设计、工程开发。我们的专业网站——中国传感器科技信息网（全球传感器数据库）[www.SENSOR-IC.COM](http://www.SENSOR-IC.COM) 服务于全球高科技生产商及贸易商，为企业科技产品开发提供技术交流平台。欢迎各厂商互通有无、交换信息、交换链接、发布寻求代理信息。欢迎国外高科技传感器、变送器、执行器、自动控制产品厂商介绍产品到中国，共同开拓市场。本网站是关于各种传感器-变送器-仪器仪表及工业自动化大型专业网站，深入到工业控制、系统工程计 测量、自动化、安防报警、消费电子等众多领域，把最新的传感器-变送器-仪器仪表买卖信息，最新技术供求，最新采购商，行业动态，发展方向，最新的技术应用和市场资讯及时的传递给广大科技开发、科学研究、产品设计人员。本网站已成功为石油、化工、电力、医药、生物、航空、航天、国防、能源、冶金、电子、工业、农业、交通、汽车、矿山、煤炭、纺织、信息、通信、IT、安防、环保、印刷、科研、气象、仪器仪表等领域从事科学研究、产品设计、开发、生产制造的科技人员、管理人员、和采购人员提供满意服务。我们公司专业生产、代理、经销、销售各种传感器、变送器、敏感元器件、开关、执行器、仪器仪表、自动化控制系统：专业从事设计、生产、销售各种传感器、变送器、各种测控仪表、热工仪表、现场控制器、计算机控制系统、数据采集系统、各类环境监控系统、专用控制系统应用软件以及嵌入式系统开发及应用等工作。如热敏电阻、压敏电阻、温度传感器、温度变送器、湿度传感器、湿度变送器、气体传感器、气体变送器、压力传感器、压力变送、称重传感器、物（液）位传感器、物（液）位变送器、流量传感器、流量变送器、电流（压）传感器、溶氧传感器、霍尔传感器、图像传感器、超声波传感器、位移传感器、速度传感器、加速度传感器、扭距传感器、红外传感器、紫外传感器、火焰传感器、激光传感器、振动传感器、轴角传感器、光电传感器、接近传感器、干簧管传感器、继电器传感器、微型电泵、磁敏（阻）传感器、压力开关、接近开关、光电开关、色标传感器、光纤传感器、齿轮测速传感器、时间继电器、计数器、计米器、温控仪、固态继电器、调压模块、电磁铁、电压表、电流表等特殊传感器。同时承接传感器应用电路、产品设计和自动化工程项目。

更多产品请看本公司产品专用销售网站：

商斯达中国传感器科技信息网：<http://www.sensor-ic.com/>

商斯达工控安防网：<http://www.pc-ps.net/>

商斯达电子元器件网：<http://www.sunstare.com/>

商斯达微波光电产品网：[HTTP://www.rfoe.net/](http://www.rfoe.net/)

商斯达消费电子产品网：<http://www.icasic.com/>

商斯达军工产品网：<http://www.junpinic.com/>

商斯达实业科技产品网：<http://www.sunstars.cn/> 传感器销售热线：

地址：深圳市福田区福华路福庆街鸿图大厦 1602 室

电话：0755-83607652 83376489 83376549 83370250 83370251 82500323

传真：0755-83376182 (0) 13902971329 MSN: [SUNS888@hotmail.com](mailto:SUNS888@hotmail.com)

邮编：518033 E-mail: [szss20@163.com](mailto:szss20@163.com) QQ: 195847376

深圳赛格展销部：深圳华强北路赛格电子市场 2583 号 电话：0755-83665529 25059422

技术支持：0755-83394033 13501568376

欢迎索取免费详细资料、设计指南和光盘；产品凡多，未能尽录，欢迎来电查询。

北京分公司：北京海淀区知春路 132 号中发电子大厦 3097 号

TEL: 010-81159046 82615020 13501189838 FAX: 010-62543996

上海分公司：上海市北京东路 668 号上海赛格电子市场 D125 号

TEL: 021-28311762 56703037 13701955389 FAX: 021-56703037

西安分公司：西安高新开发区 20 所(中国电子科技集团导航技术研究所)

西安劳动南路 88 号电子商城二楼 D23 号

TEL: 029-81022619 13072977981 FAX:029-88789382

# TMP17F/G—SPECIFICATIONS ( $V_s = +5.0\text{ V}$ , $-40^\circ\text{C} \leq T_A \leq 105^\circ\text{C}$ , unless otherwise noted)

Parameter	Symbol	Conditions	Min	Typ	Max	Units
ACCURACY						
TMP17F		$T_A = +25^\circ\text{C}^1$			$\pm 2.5$	$^\circ\text{C}$
TMP17G		$T_A = +25^\circ\text{C}^1$			$\pm 3.5$	$^\circ\text{C}$
TMP17F		Over Rated Temperature			$\pm 3.5$	$^\circ\text{C}$
TMP17G		Over Rated Temperature			$\pm 4.5$	$^\circ\text{C}$
Power Supply Rejection Ratio						
+4 V < $V_s$ < +5 V	PSRR				0.5	$^\circ\text{C}/\text{V}$
+5 V < $V_s$ < +15 V	PSRR				0.3	$^\circ\text{C}/\text{V}$
+15 V < $V_s$ < +30 V	PSRR				0.3	$^\circ\text{C}/\text{V}$
Nonlinearity		Over Rated Temperature <sup>2</sup>		0.5		$^\circ\text{C}$
OUTPUT						
Nominal Current Output		$T_A = +25^\circ\text{C}$ (298.2K)		298.2		$\mu\text{A}$
Scale Factor		Over Rated Temperature		1		$\mu\text{A}/^\circ\text{C}$
Repeatability		Note 3		0.2		$^\circ\text{C}$
Long Term Stability		$T_A = +150^\circ\text{C}$ for 500 Hrs <sup>4</sup>		0.2		$^\circ\text{C}/\text{month}$
POWER SUPPLY						
Supply Range	$+V_s$		4		30	V

**NOTES**

- <sup>1</sup>An external calibration trim can be used to zero the error @ +25°C.
  - <sup>2</sup>Defined as the maximum deviation from a mathematically best fit line.
  - <sup>3</sup>Maximum deviation between +25°C readings after a temperature cycle between -40°C and +105°C. Errors of this type are noncumulative.
  - <sup>4</sup>Operation at +150°C. Errors of this type are noncumulative.
- Specifications subject to change without notice.

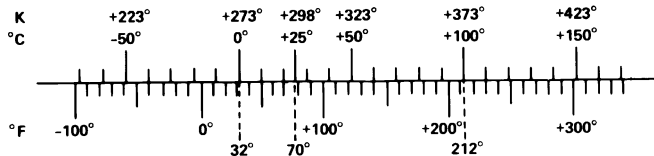
**ABSOLUTE MAXIMUM RATINGS\***

Maximum Supply Voltage	+30 V
Operating Temperature Range	-40°C to +105°C
Maximum Forward Voltage (+ to -)	+44 V
Maximum Reverse Voltage (- to +)	+20 V
Dice Junction Temperature	+175°C
Storage Temperature Range	-65°C to +160°C
Lead Temperature (Soldering, 10 sec)	+300°C

**NOTES**

\*Stresses above those listed under “Absolute Maximum Ratings” may cause permanent damage to the device. This is a stress rating only and functional operation at or above this specification is not implied. Exposure to the above maximum rating conditions for extended periods may affect device reliability.

**TEMPERATURE SCALE CONVERSION EQUATIONS**



$$^\circ\text{C} = \frac{5}{9} (^\circ\text{F} - 32) \quad ^\circ\text{F} = \frac{9}{5} ^\circ\text{C} + 32 \quad \text{K} = ^\circ\text{C} + 273.15$$

**ORDERING GUIDE**

Model	Max Cal Error @ +25°C	Max Error -40°C to +105°C	Nonlinearity -40°C to +105°C	Package Option
TMP17FS	2.5°C	3.5°C	0.5°C	SO-8
TMP17GS	3.5°C	4.5°C	0.5°C	SO-8

**CAUTION**

ESD (electrostatic discharge) sensitive device. Electrostatic charges as high as 4000 V readily accumulate on the human body and test equipment and can discharge without detection. Although the TMP17 features proprietary ESD protection circuitry, permanent damage may occur on devices subjected to high energy electrostatic discharges. Therefore, proper ESD precautions are recommended to avoid performance degradation or loss of functionality.



# Typical Performance Characteristics-TMP17

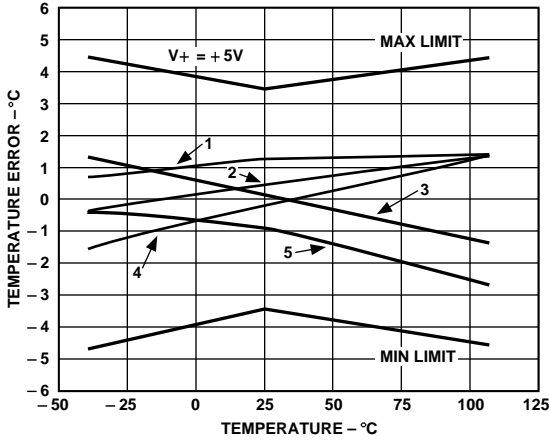


Figure 2. Accuracy vs. Temperature

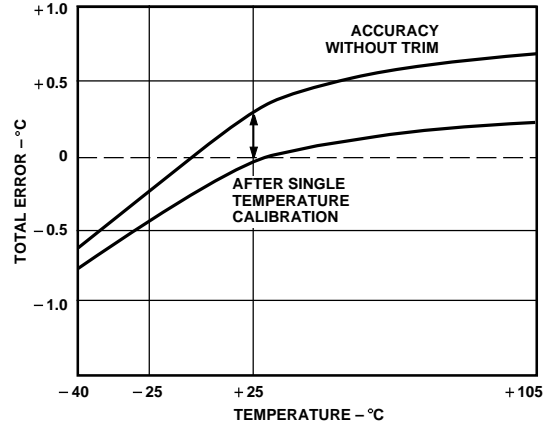


Figure 5. Long-Term Stability @ +125°C

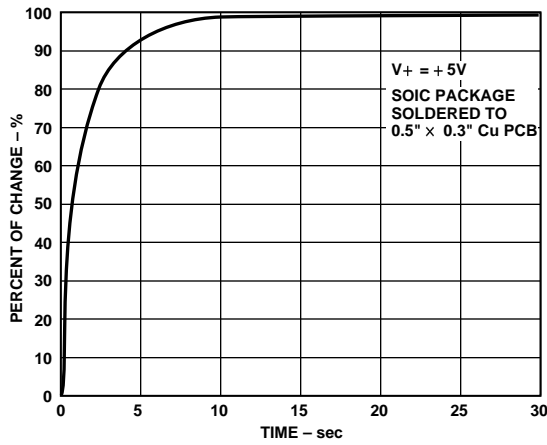


Figure 3. Thermal Response in Stirred Oil Bath

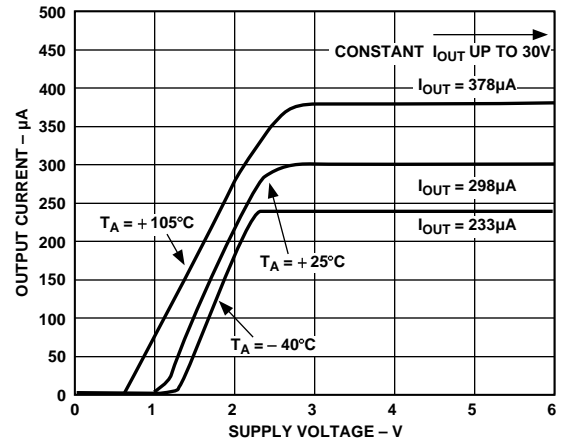


Figure 6. V-I Characteristics

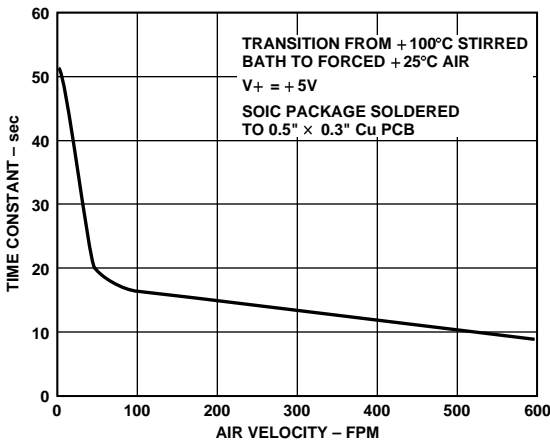


Figure 4. Thermal Time Constant in Forced Air

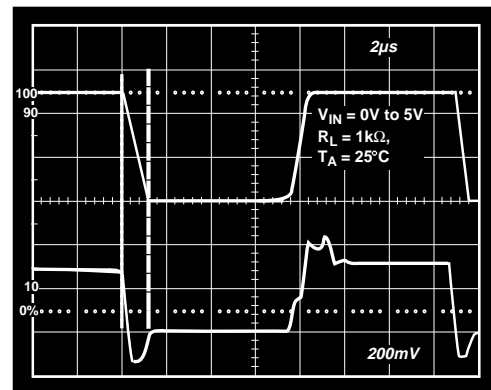


Figure 7. Output Turn-On Settling Time

# TMP17

## THEORY OF OPERATION

The TMP17 uses a fundamental property of silicon transistors to realize its temperature proportional output. If two identical transistors are operated at a constant ratio of collector current densities,  $r$ , then the difference in base-emitter voltages will be  $(kT/q)(\ln r)$ . Since both  $k$ , Boltzmann's constant, and  $q$ , the charge of an electron, are constant, the resulting voltage is directly Proportional To Absolute Temperature (PTAT). In the TMP17 this difference voltage is converted to a PTAT current by low temperature coefficient thin film resistors. This PTAT current is then used to force the total output current to be proportional to degrees Kelvin. The result is a current source with an output equal to a scale factor times the temperature (K) of the sensor. A typical V-I plot of the circuit at 125°C and the temperature extremes is shown in Figure 6.

Factory trimming of the scale factor to 1  $\mu\text{A/K}$  is accomplished at the wafer level by adjusting the TMP17's temperature reading so it corresponds to the actual temperature. During laser trimming the IC is at a temperature within a few degrees of +25°C and is powered by a 5 V supply. The device is then packaged and automatically temperature tested to specification.

## FACTORS AFFECTING TMP17 SYSTEM PRECISION

The accuracy limits given on the Specifications page for the TMP17 make it easy to apply in a variety of diverse applications. To calculate a total error budget in a given system it is important to correctly interpret the accuracy specifications, non-linearity errors, the response of the circuit to supply voltage variations and the effect of the surrounding thermal environment. As with other electronic designs external component selection will have a major effect on accuracy.

## CALIBRATION ERROR, ABSOLUTE ACCURACY AND NONLINEARITY SPECIFICATIONS

Two primary limits of error are given for the TMP17 such that the correct grade for any given application can easily be chosen for the overall level of accuracy required. They are the calibration accuracy at +25°C, and the error over temperature from -40°C to +105°C. These specifications correspond to the actual error the user would see if the current output of a TMP17 were converted to a voltage with a precision resistor. Note that the maximum error at room temperature or over an extended range, including the boiling point of water, can be directly read from the specifications table. The error limits are a combination of initial error, scale factor variation and non-linearity deviation from the ideal 1  $\mu\text{A/K}$  output. Figure 2 graphically depicts the guaranteed limits of accuracy for a TMP17GS.

The TMP17 has a highly linear output in comparison to older technology sensors (i.e., thermistors, RTDs and thermocouples), thus a nonlinearity error specification is separated from the absolute accuracy given over temperature. As a maximum deviation from a best-fit straight line this specification represents the only error that cannot be trimmed out. Figure 8 is a plot of typical TMP17 nonlinearity over the full rated temperature range.

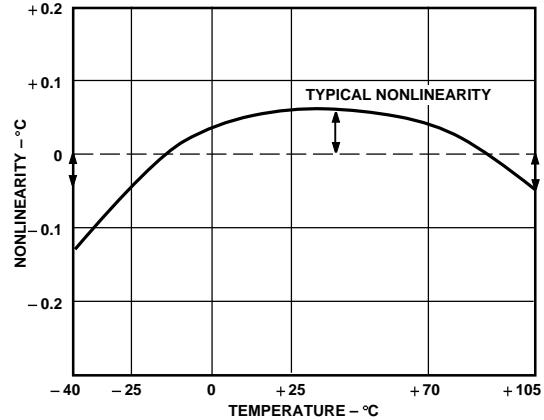


Figure 8. Nonlinearity Error (TMP17)

## TRIMMING FOR HIGHER ACCURACY

Calibration error at +25°C can be removed with a single temperature trim. Figure 9 shows how to adjust the TMP17's scale factor in the basic voltage output circuit.

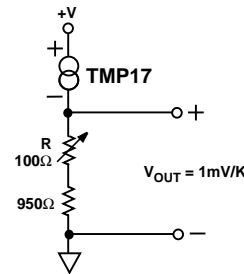


Figure 9. Basic Voltage Output (Single Temperature Trim)

To trim the circuit the temperature must be measured by a reference sensor and the value of  $R$  should be adjusted so the output ( $V_{OUT}$ ) corresponds to 1 mV/K. Note that the trim procedure should be implemented as close as possible to the temperature highest accuracy is desired for. In most applications if a single temperature trim is desired it can be implemented where the TMP17 current-to-output voltage conversion takes place (e.g., output resistor, offset to an op amp). Figure 10 illustrates the effect on total error when using this technique.

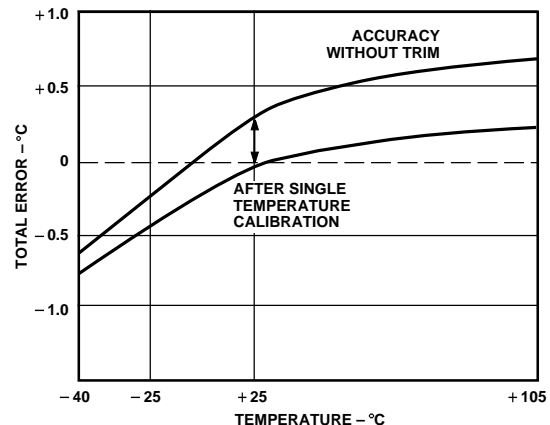


Figure 10. Effect of Scale Factor Trim on Accuracy

If greater accuracy is desired, initial calibration and scale factor errors can be removed by using the TMP17 in the circuit of Figure 11.

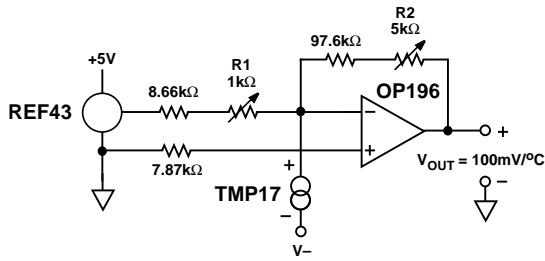


Figure 11. Two Temperature Trim Circuit

With the transducer at 0°C adjustment of R1 for a 0 V output nulls the initial calibration error and shifts the output from K to °C. Tweaking the gain of the circuit at an elevated temperature by adjusting R2 trims out scale factor error. The only error remaining over the temperature by adjusting R2 trims out scale factor error. The only error remaining over the temperature range being trimmed for its nonlinearity. A typical plot of two trim accuracy is given in Figure 12.

#### SUPPLY VOLTAGE AND THERMAL ENVIRONMENT EFFECTS

The power supply rejection characteristics of the TMP17 minimize errors due to voltage irregularity, ripple and noise. If a supply is used other than 5 V (used in factory trimming), the power supply error can be removed with a single temperature trim. The PTAT nature of the TMP17 will remain unchanged. The general insensitivity of the output allows the use of lower cost unregulated supplies and means that a series resistance of several hundred ohms (e.g., CMOS multiplexer, meter coil resistance) will not degrade the overall performance.

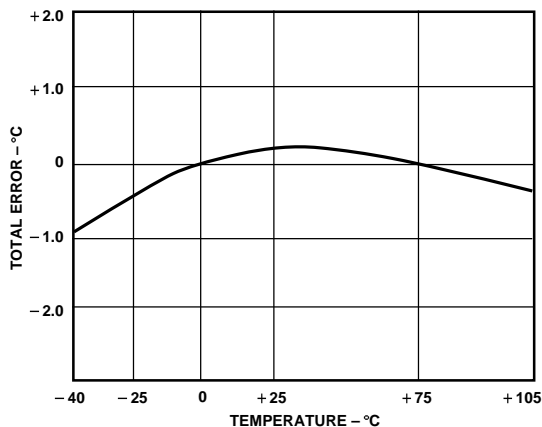


Figure 12. Typical Two Trim Accuracy

The thermal environment in which the TMP17 is used determines two performance traits: the effect of self-heating on accuracy and the response time of the sensor to rapid changes in temperature. In the first case, a rise in the IC junction temperature above the ambient temperature is a function of two variables; the power consumption level of the circuit and the thermal resistance between the chip and the ambient environ-

ment ( $\theta_{JA}$ ). Self-heating error in °C can be derived by multiplying the power dissipation by  $\theta_{JA}$ . Because errors of this type can vary widely for surroundings with different heat sinking capacities, it is necessary to specify  $\theta_{JA}$  under several conditions. Table I shows how the magnitude of self-heating error varies relative to the environment. In typical free air applications at +25°C with a 5 V supply the magnitude of the error is 0.2°C or less. A small glued-on heat sink will reduce the temperature error in high temperature, large supply voltage situations.

Table I. Thermal Characteristics

Medium	$\theta_{JA}$ (°C/watt)	$\tau$ (sec)*
Still Air	158	52
Moving Air @ 500 FPM	60	10
Fluorinert Liquid	35	2

#### NOTES

\* $\tau$  is an average of one time constant (63.2% of final value). In cases where the thermal response is not a simple exponential function, the actual thermal response may be better than indicated.

Response of the TMP17 output to abrupt changes in ambient temperature can be modeled by a single time constant  $\tau$  exponential function. Figures 3 and 4 show typical response time plots for media of interest.

The time constant,  $\tau$ , is dependent on  $\theta_{JA}$  and the thermal capacities of the chip and the package. Table I lists the effective  $\tau$  (time to reach 63.2% of the final value) for several different media. Copper printed circuit board connections will sink or conduct heat directly through the TMP17's soldered leads. When faster response is required a thermally conductive grease or glue between the TMP17 and the surface temperature being measured should be used.

#### MOUNTING CONSIDERATIONS

If the TMP17 is thermally attached and properly protected, it can be used in any temperature measuring situation where the maximum range of temperatures encountered is between -40°C and +105°C. Thermally conductive epoxy or glue is recommended under typical mounting conditions. In wet environments condensation at cold temperatures can cause leakage current related errors and should be avoided by sealing the device in nonconductive epoxy paint or conformal coating.

#### APPLICATIONS

Connecting several TMP17 devices in parallel adds the currents through them and produces a reading proportional to the average temperature. Series TMP17s will indicate the lowest temperature because the coldest device limits the series current flowing through the sensors. Both of these circuits are depicted in Figure 13.

# TMP17

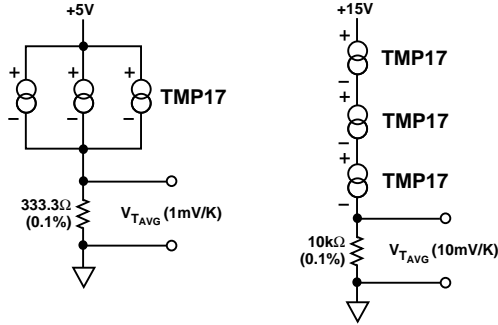


Figure 13. Average and Minimum Temperature Connections

The circuit of Figure 14 demonstrates a method in which a voltage output can be derived in a differential temperature measurement.

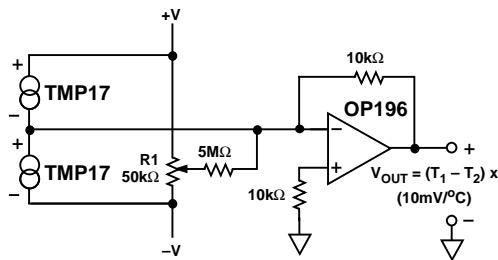


Figure 14. Differential Measurements

R1 can be used to trim out the inherent offset between the two devices. By increasing the gain resistor (10 kΩ) temperature measurements can be made with higher resolution. If the magnitude of V+ and V- is not the same, the difference in power consumption between the two devices can cause a differential self-heating error.

Cold junction compensation (CJC) used in thermocouple signal conditioning can be implemented using a TMP17 in the circuit configuration of Figure 15. Expensive simulated ice baths or hard to trim, inaccurate bridge circuits are no longer required.

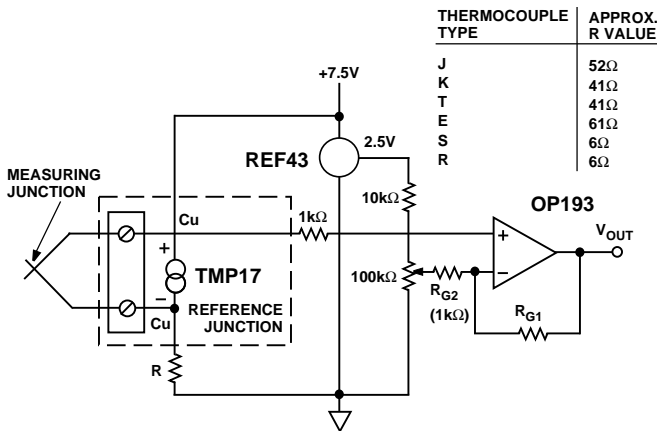


Figure 15. Thermocouple Cold Junction Compensation

The circuit shown can be optimized for any ambient temperature range or thermocouple type by simply selecting the correct value for the scaling resistor – R. The TMP17 output (1 μA/K) times R should approximate the line best fit to the thermocouple curve (slope in V/°C) over the most likely ambient temperature range. Additionally, the output sensitivity can be chosen by selecting the resistors R<sub>G1</sub> and R<sub>G2</sub> for the desired noninverting gain. The offset adjustment shown simply references the TMP17 to °C. Note that the TC's of the reference and the resistors are the primary contributors to error. Temperature rejection of 40 to 1 can be easily achieved using the above technique.

Although the TMP17 offers a noise immune current output, it is not compatible with process control/industrial automation current loop standards. Figure 16 is an example of a temperature to 4–20 mA transmitter for use with 40 V, 1 kΩ systems.

In this circuit the 1 μA/K output of the TMP17 is amplified to 1 mA/°C and offset so that 4 mA is equivalent to 17°C and 20 mA is equivalent to 33°C. R<sub>t</sub> is trimmed for proper reading at an intermediate reference temperature. With a suitable choice of resistors, any temperature range within the operating limits of the TMP17 may be chosen.

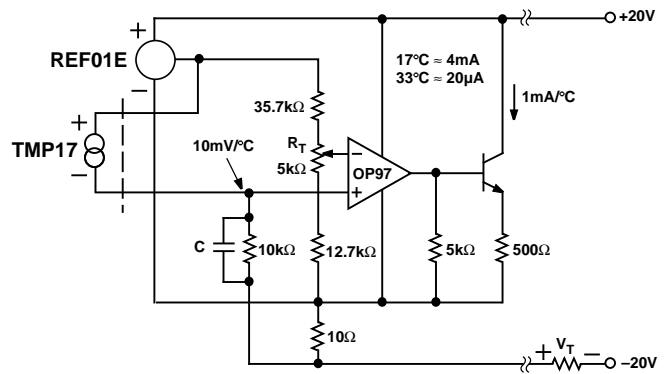


Figure 16. Temperature to 4–20 mA Current Transmitter

Reading temperature with a TMP17 in a microprocessor based system can be implemented with the circuit shown in Figure 17.

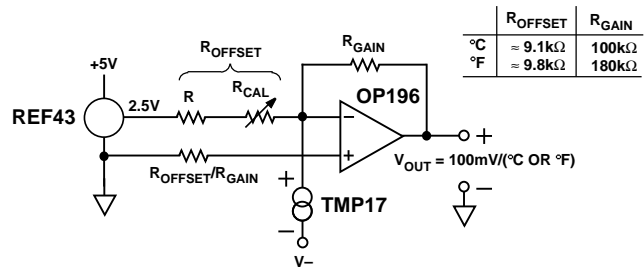


Figure 17. Temperature to Digital Output

By using a differential input A/D converter and choosing the current to voltage conversion resistor correctly, any range of temperatures (up to the 145°C span the TMP17 is rated for) centered at any point can be measured using a minimal number of components. In this configuration the system will resolve up to 1°C.

A variable temperature controlling thermostat can easily be built using the TMP17 in the circuit of Figure 18.

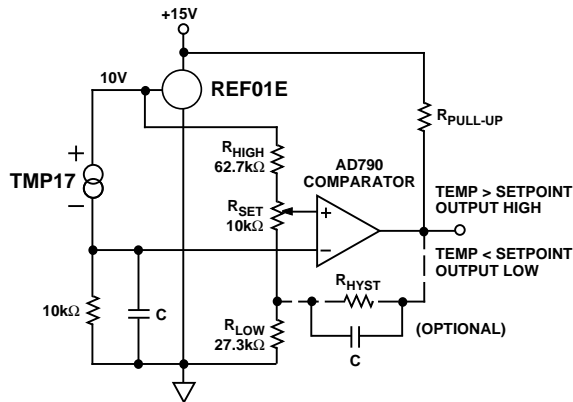


Figure 18. Variable Temperature Thermostat

$R_{HIGH}$  and  $R_{LOW}$  determine the limits of temperature controlled by the potentiometer  $R_{SET}$ . The circuit shown operates over the temperature range  $-25^{\circ}\text{C}$  to  $+105^{\circ}\text{C}$ . The reference maintains a constant set point voltage and insures that approximately 7 V appears across the sensor. If it is necessary to guardband for extraneous noise, hysteresis can be added by tying a resistor from the output to the ungrounded end of  $R_{LOW}$ .

Multiple remote temperatures can be measured using several TMP17s with a CMOS multiplexer or a series of 5 V logic gates because of the device's current-mode output and supply-voltage compliance range. The on-resistance of a FET switch or output impedance of a gate will not affect the accuracy, as long as 4 V is maintained across the transducer. Muxes and logic driving circuits should be chosen to minimize leakage current related errors. Figure 19 illustrates a locally controlled mux switching the signal current from several remote TMP17s. CMOS or TTL gates can also be used to switch the TMP17 supply voltages, with the multiplexed signal being transmitted over a single twisted pair to the load.

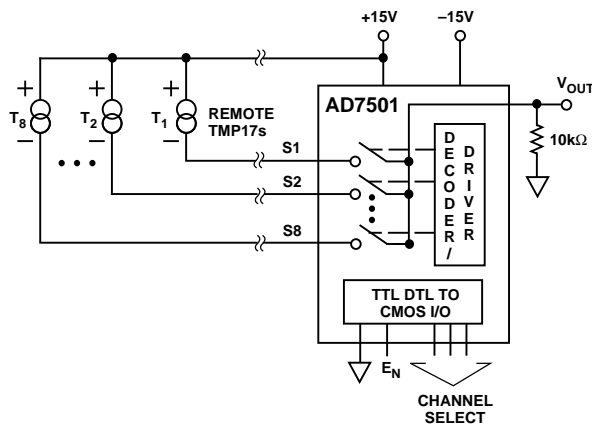


Figure 19. Remote Temperature Multiplexing

To minimize the number of muxes required when a large number of TMP17s are being used, the circuit can be configured in a matrix. That is, a decoder can be used to switch the supply voltage to a column of TMP17s while a mux is used to

control which row of sensors are being measured. The maximum number of TMP17s which can be used is the product of the number of channels of the decoder and mux.

An example circuit controlling 80 TMP17s is shown in Figure 20. A 7-bit digital word is all that is required to select one of the sensors. The enable input of the multiplexer turns all the sensors off for minimum dissipation while idling.

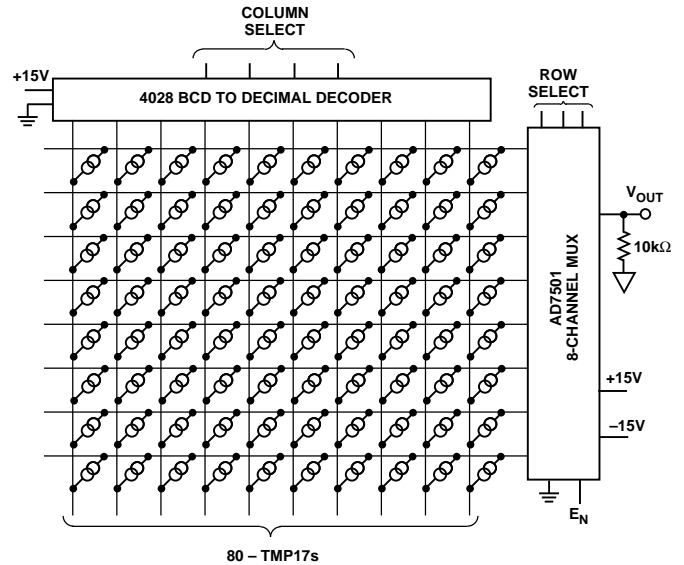


Figure 20. Matrix Multiplexer

To convert the TMP17 output to  $^{\circ}\text{C}$  or  $^{\circ}\text{F}$  a single inexpensive reference and op amp can be used as shown in Figure 21. Although this circuit is similar to the two temperature trim circuit shown in Figure 11, two important differences exist. First, the gain resistor is fixed alleviating the need for an elevated temperature trim. Acceptable accuracy can be achieved by choosing an inexpensive resistor with the correct tolerance. Second, the TMP17 calibration error can be trimmed out at a known convenient temperature (i.e., room temperature) with a single pot adjustment. This step is independent of the gain selection.

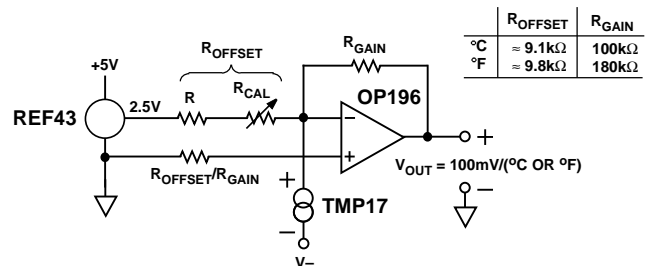


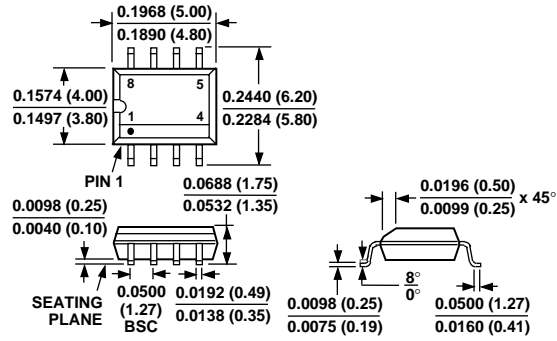
Figure 21. Celsius or Fahrenheit Thermometer

# TMP17

## OUTLINE DIMENSIONS

Dimensions shown in inches and (mm).

### 8-Lead Narrow-Body SOIC (SO-8)



C2154-8-7/96

PRINTED IN U.S.A.